

ICE-85

Manual Order Number: 9800546A

B115/1078/1.5K NCG

**schematic
drawings**

intel[®]



ICE-85

Manual Order Number: 9800546A

B115/1078/1.5K NCG

NUMBER	TITLE	PAGE
2001357	Controller Schematic (8 sheets).....	1
2001193	Trace Board Schematic (5 sheets).....	9
2001287	MDS-85 CC-85 Schematic (9 sheets).....	14
2001297	18 Channel Buffer Schematic (1 sheet).....	23
2001275	User Cable Schematic (1 sheet).....	24

The information in this document is subject to change without notice.

Intel Corporation makes no warranty of any kind with regard to this material, including, but not limited to, the implied warranties of merchantability and fitness for a particular purpose. Intel Corporation assumes no responsibility for any errors that may appear in this document. Intel Corporation makes no commitment to update nor to keep current the information contained in this document.

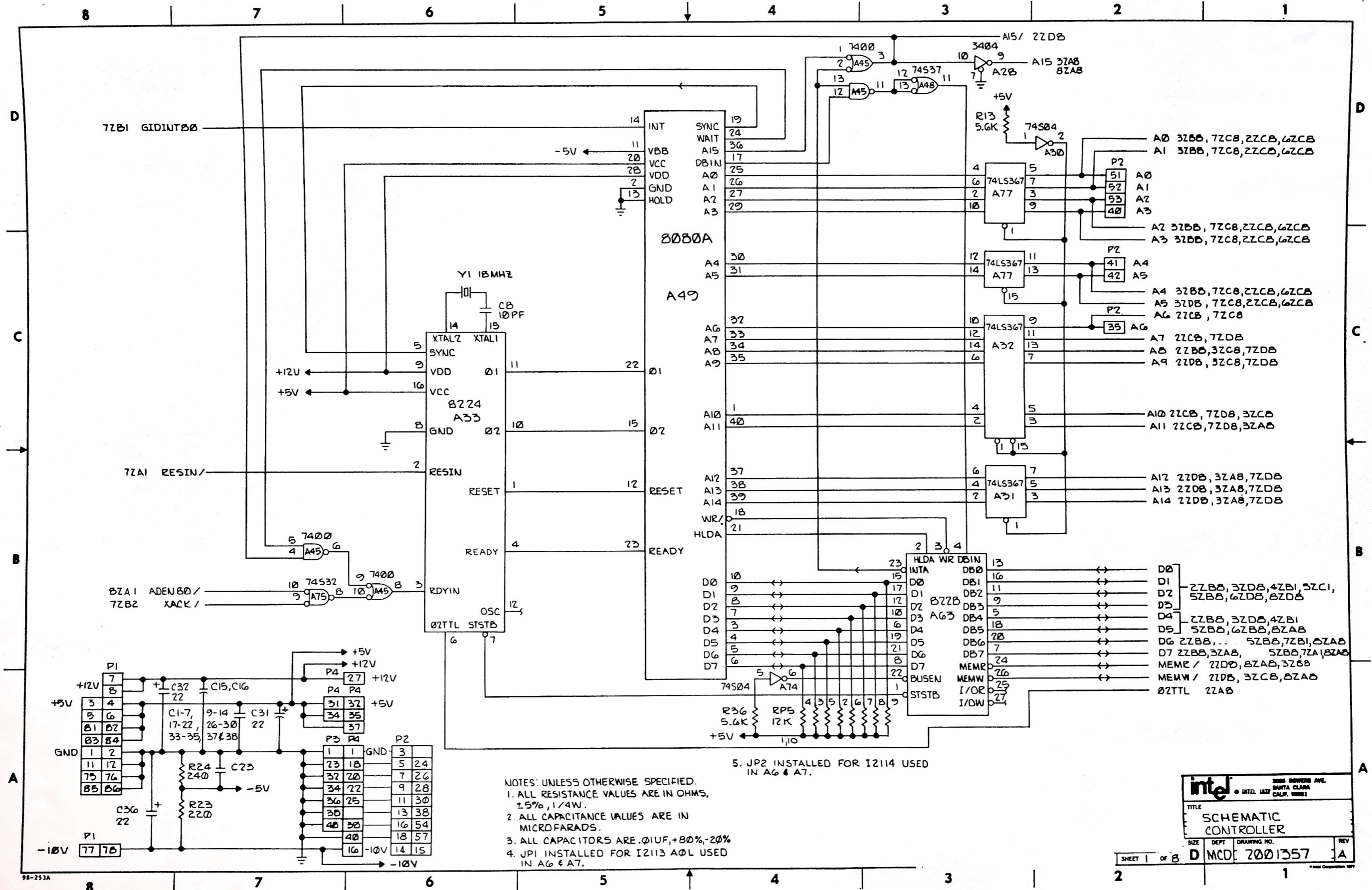
No part of this document may be copied or reproduced in any form or by any means without the prior written consent of Intel Corporation.

The following are trademarks of Intel Corporation and may be used only to describe Intel products:

ICE
INSITE
INTEL
INTELLEC
ISBC

LIBRARY MANAGER
MCS
MEGACHASSIS
MICROMAP
MULTIBUS

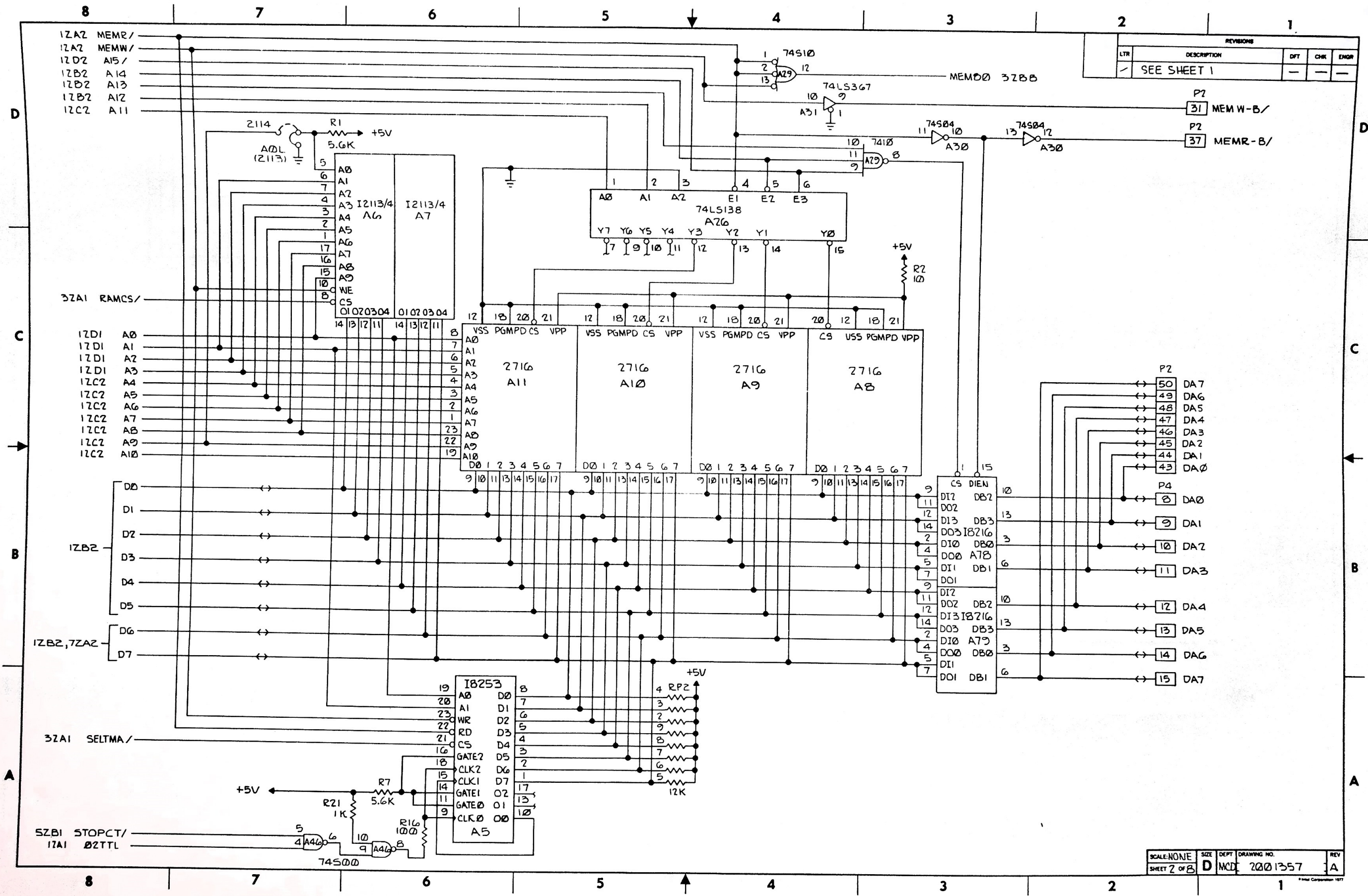
PROMPT
RMX
UPI
#SCOPE



- NOTES: UNLESS OTHERWISE SPECIFIED.
1. ALL RESISTANCE VALUES ARE IN OHMS, ±5%, 1/4W.
 2. ALL CAPACITANCE VALUES ARE IN MICROFARADS.
 3. ALL CAPACITORS ARE .01UF, +80%, -20%
 4. JPI INSTALLED FOR I2113 AOL USED IN A6 & A7.

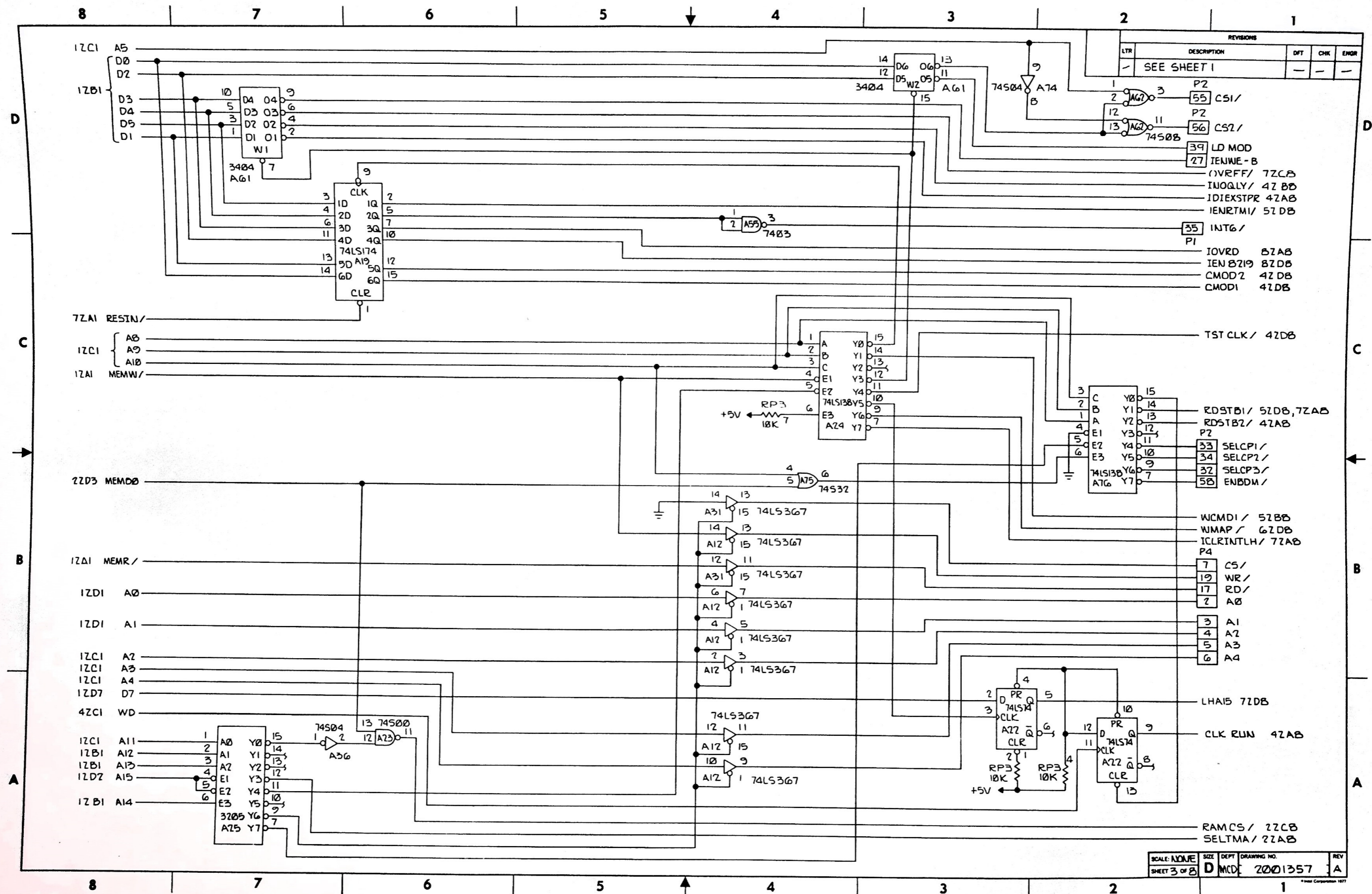
5. JP2 INSTALLED FOR I2114 USED IN A6 & A7.

intel		3065 BOWERS AVE. SANTA CLARA CALIF. 95051	
TITLE SCHEMATIC CONTROLLER			
SIZE	DEPT	DRAWING NO.	REV
SHEET 1 of 8	D	MCD: 7001357	A

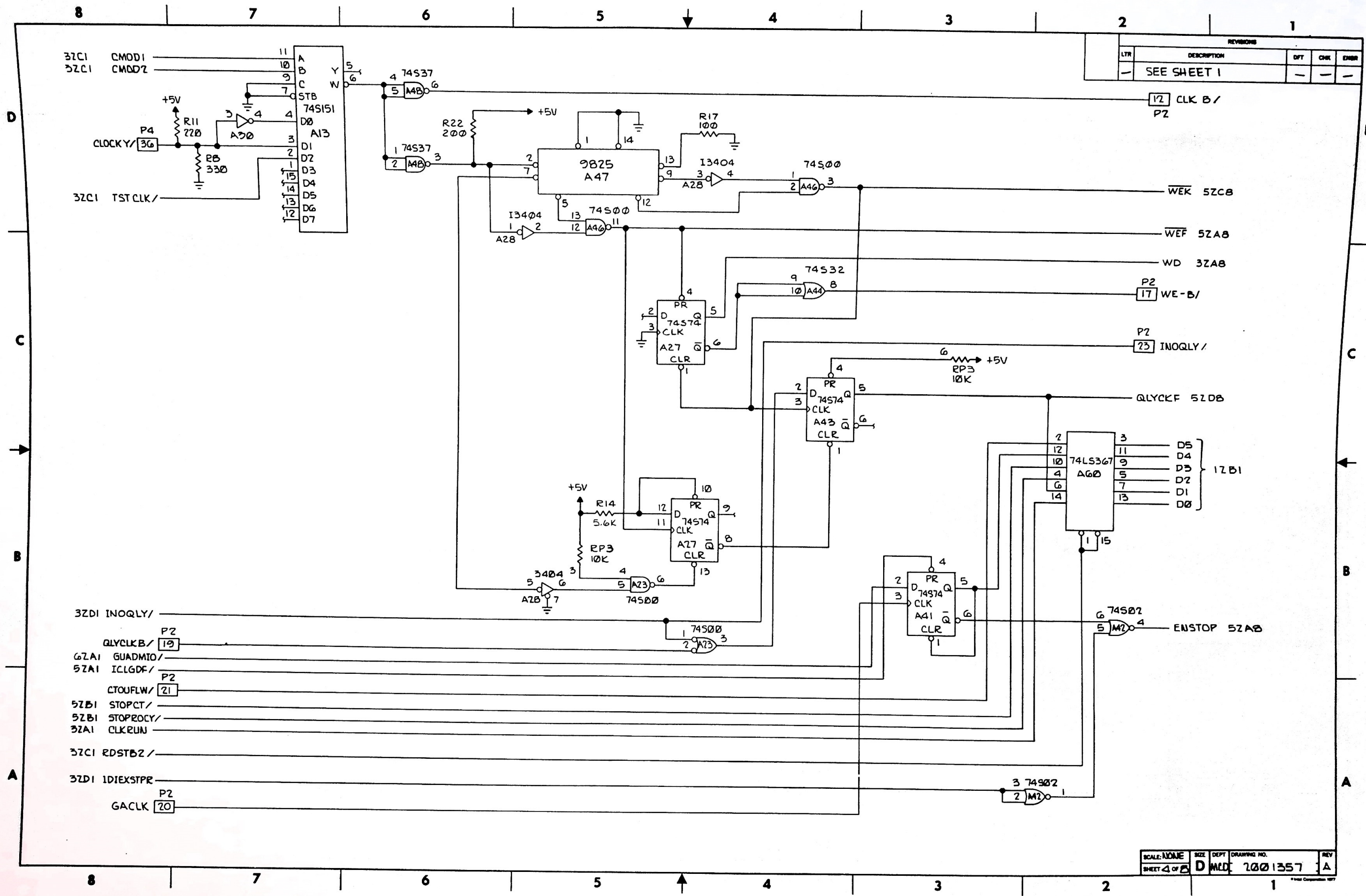


REVISIONS			
LTR	DESCRIPTION	DFT	CHK
-	SEE SHEET 1	-	-

SCALE: NONE	SIZE: D	DEPT: NCD	DRAWING NO: 2001357	REV: A
SHEET 2 OF 8				REV: A



SCALE: NONE SIZE DEPT DRAWING NO. REV
 SHEET 3 OF 8 D MCD 2001357 A

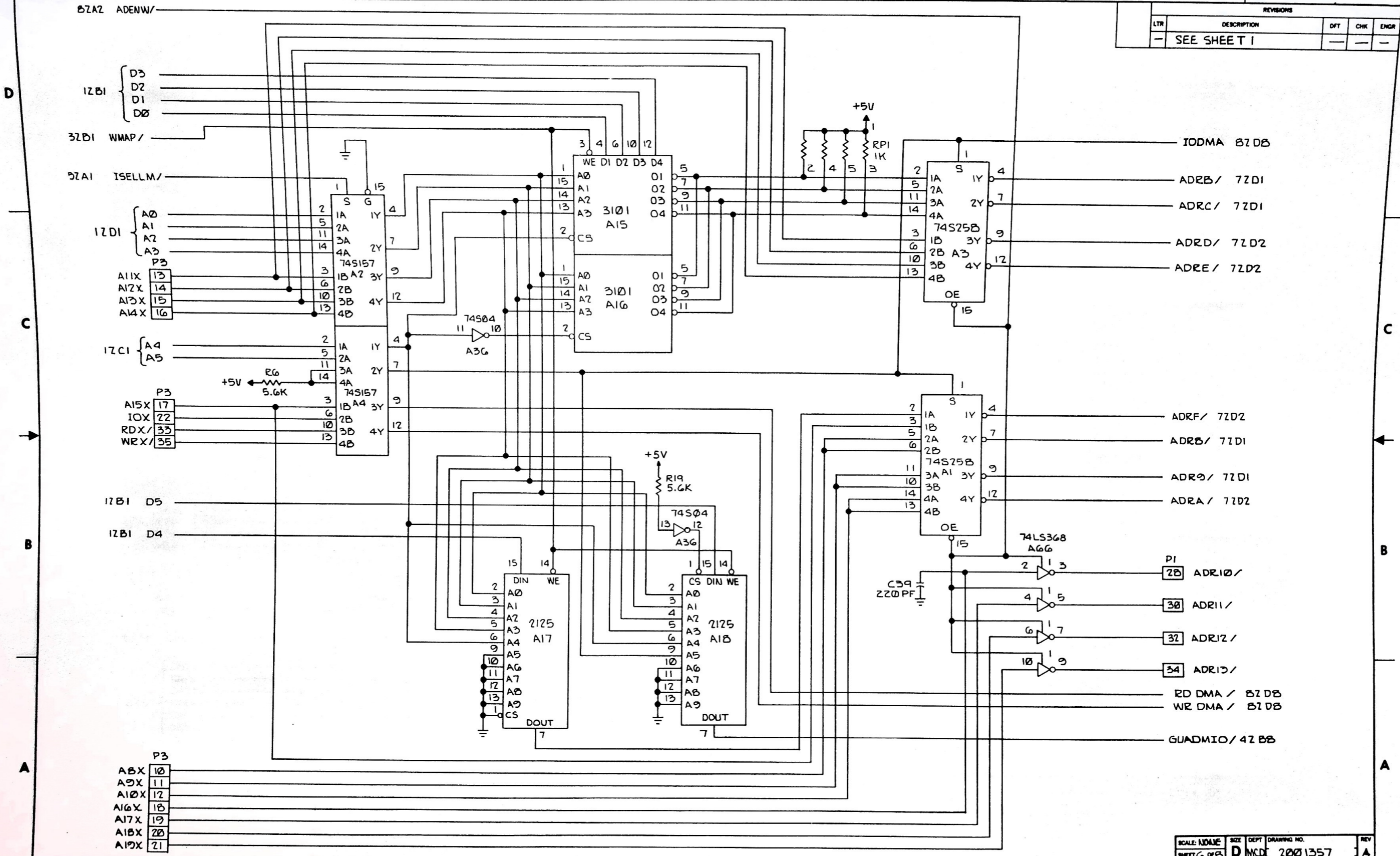


REVISIONS			
LTR	DESCRIPTION	DFT	CHK
-	SEE SHEET 1	-	-

SCALE: NONE	SIZE: D	DEPT: MLD	DRAWING NO: 2001357	REV: A
SHEET 4 OF 5		ICE-85 • 4		

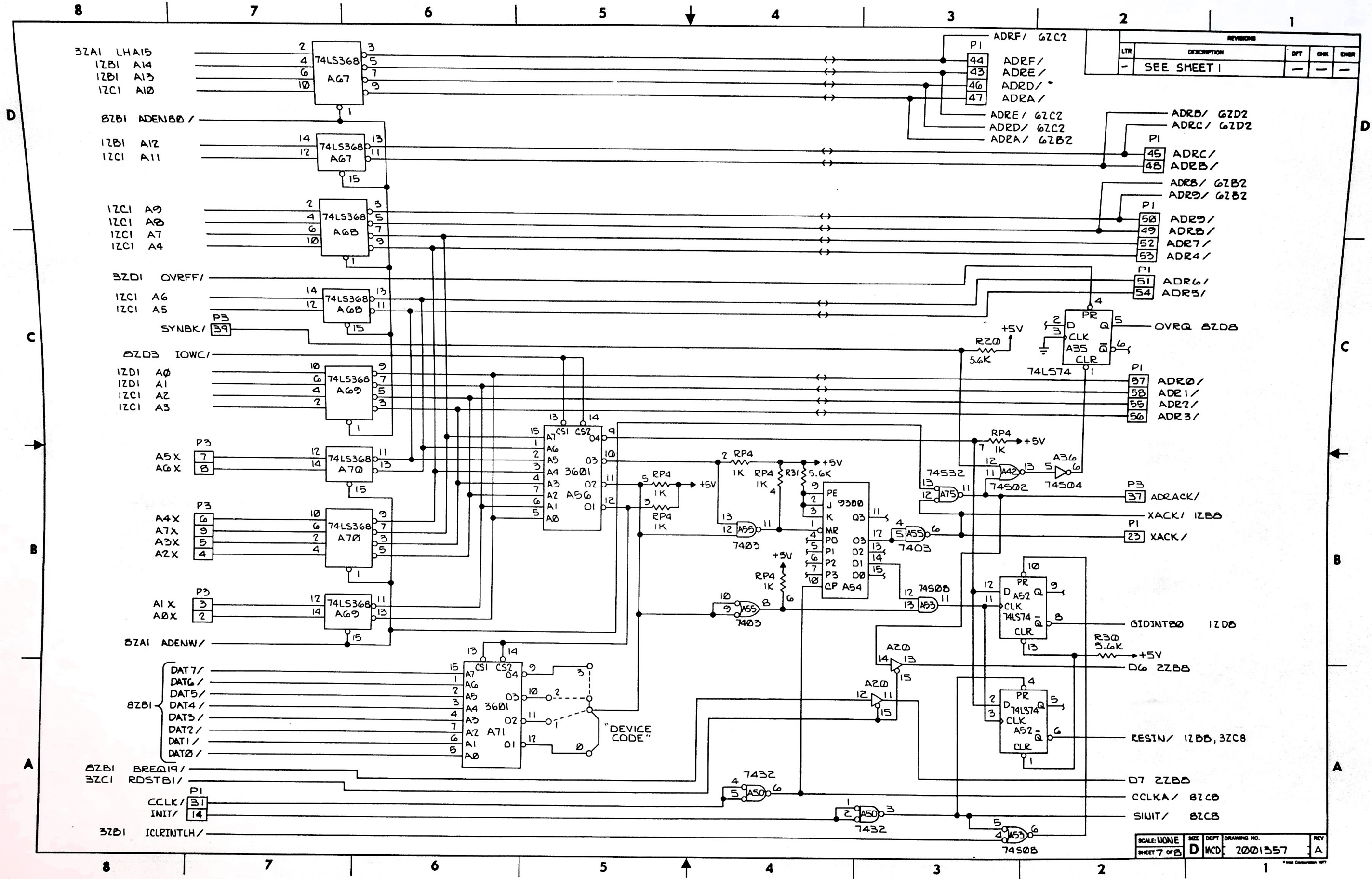
8 7 6 5 4 3 2 1

REVISIONS			
LTR	DESCRIPTION	DFT	ENGR
-	SEE SHEET 1	-	-



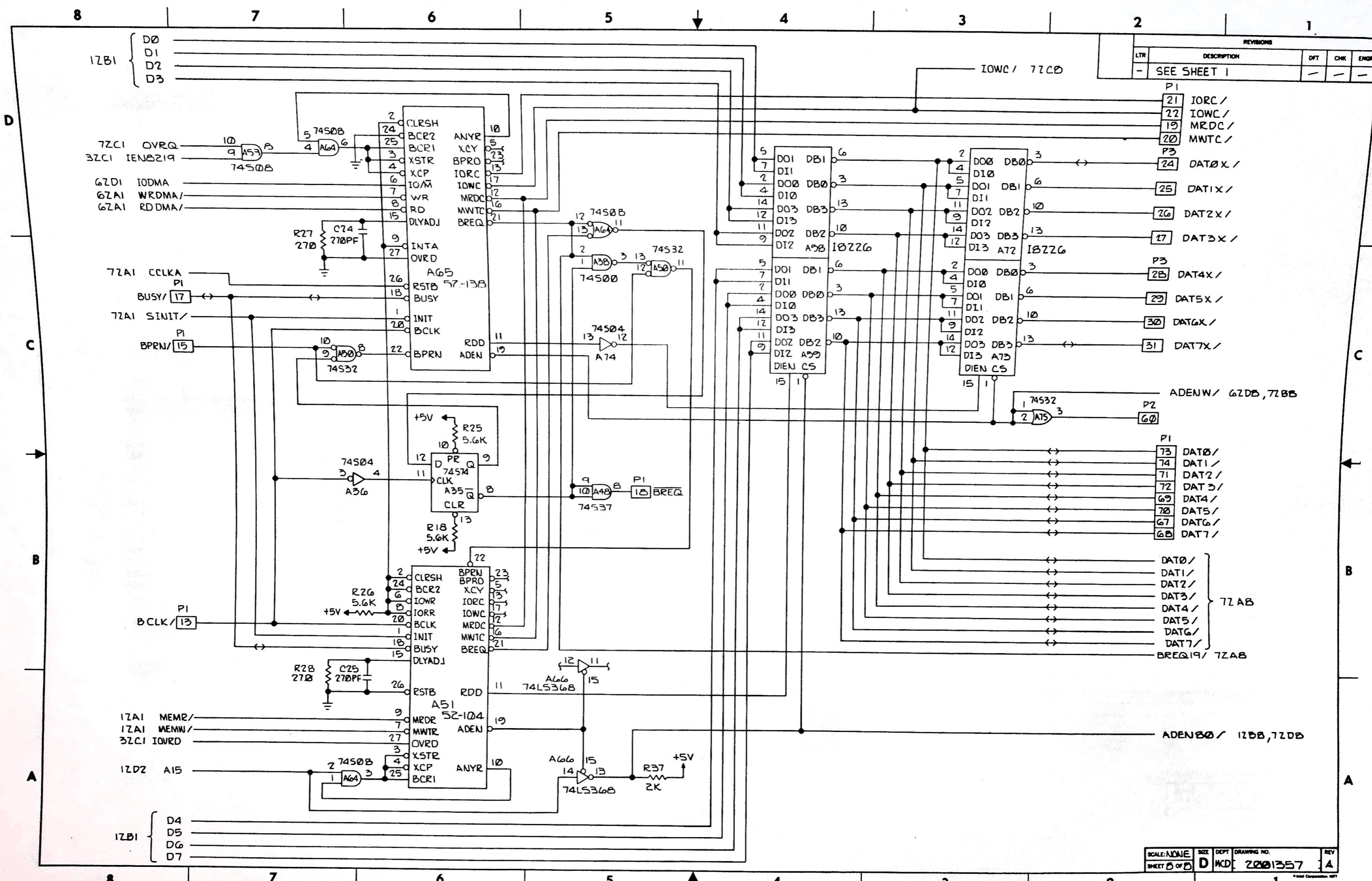
8 7 6 5 4 3 2 1

SCALE: NONE	SIZE: D	DEPT: MCD	DRAWING NO. 2001357	REV: A
SHEET 6 OF 8				



REVISIONS			
LTR	DESCRIPTION	BY	CHK
-	SEE SHEET 1	-	-

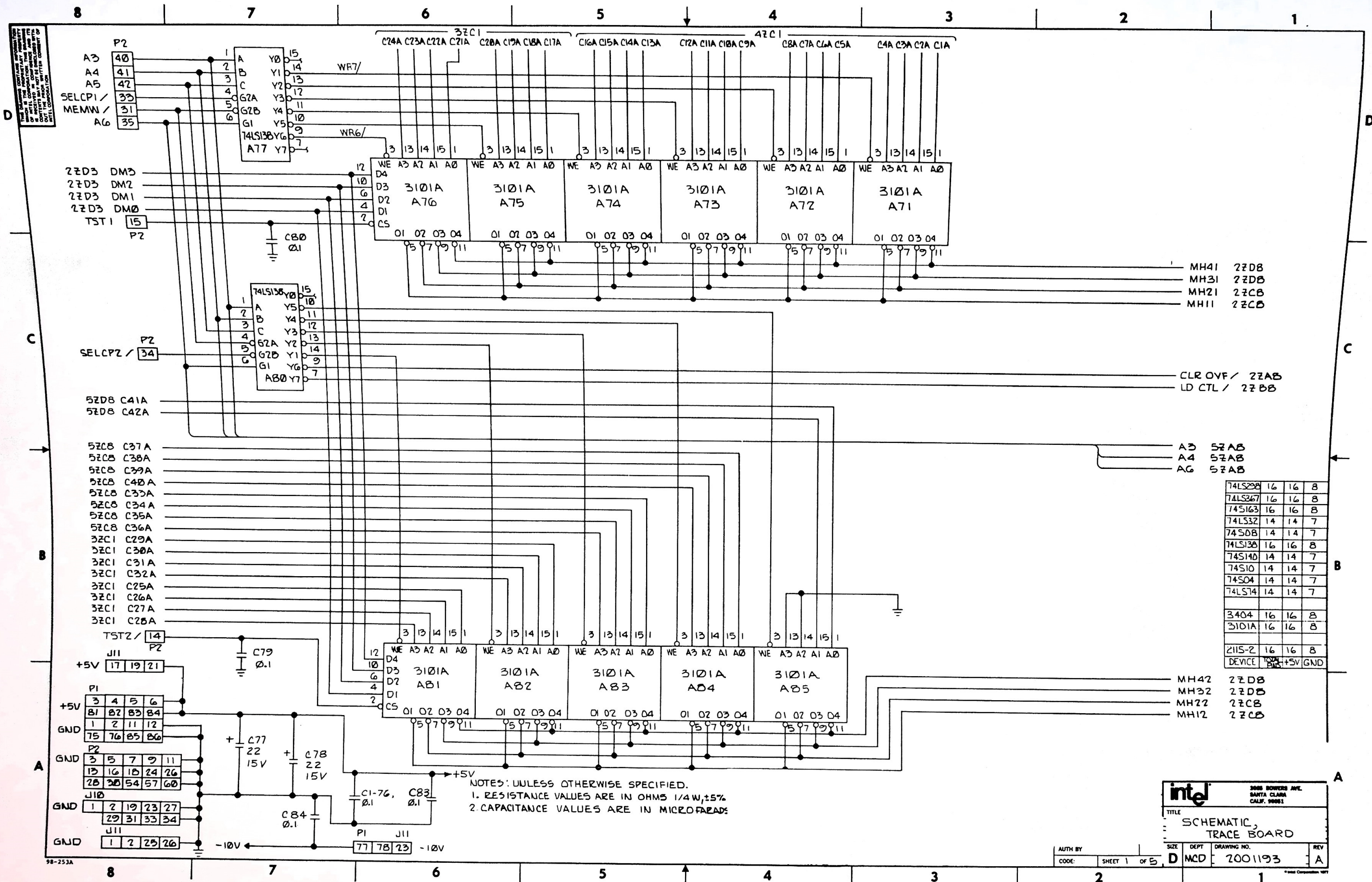
SCALE: NONE	SIZE: D	DEPT: WCD	DRAWING NO: 2001357	REV: A
SHEET 7 OF 8				



REVISIONS			
LTR	DESCRIPTION	DFT	CHK
-	SEE SHEET 1	-	-

P1	DESCRIPTION	P2	P3
21	IORC /		
22	IOWC /		
19	MRDC /		
20	MWTC /		
24	DATA0 /		
25	DATA1 /		
26	DATA2 /		
17	DATA3 /		
28	DATA4 /		
29	DATA5 /		
30	DATA6 /		
31	DATA7 /		
60	ADENW / 67DB, 72DB		
73	DATA0 /		
74	DATA1 /		
71	DATA2 /		
72	DATA3 /		
69	DATA4 /		
70	DATA5 /		
67	DATA6 /		
68	DATA7 /		
	DATA0 /		
	DATA1 /		
	DATA2 /		
	DATA3 /		
	DATA4 /		
	DATA5 /		
	DATA6 /		
	DATA7 /		
	BREQ19 / 72AB		

SCALE: NONE	SIZE: D	DEPT: MCD	DRAWING NO: 2001357	REV: A
SHEET 0 OF 0				



THIS DRAWING IS THE PROPERTY OF INTEL CORPORATION. IT IS TO BE USED FOR THE DESIGN AND CONSTRUCTION OF THE PRODUCT SPECIFIED HEREIN ONLY. IT IS NOT TO BE REPRODUCED OR TRANSMITTED IN ANY FORM OR BY ANY MEANS, ELECTRONIC OR MECHANICAL, INCLUDING PHOTOCOPYING, RECORDING, OR BY ANY INFORMATION STORAGE AND RETRIEVAL SYSTEM, WITHOUT THE WRITTEN PERMISSION OF INTEL CORPORATION.

NOTES: UNLESS OTHERWISE SPECIFIED.
 1. RESISTANCE VALUES ARE IN OHMS 1/4W, ±5%
 2. CAPACITANCE VALUES ARE IN MICROFARADS

74LS20	16	16	8
74LS367	16	16	8
74S163	16	16	8
74LS32	14	14	7
74S08	14	14	7
74LS38	16	16	8
74S14	14	14	7
74S10	14	14	7
74S04	14	14	7
74LS74	14	14	7
3404	16	16	8
3101A	16	16	8
2115-2	16	16	8
DEVICE	16	16	8

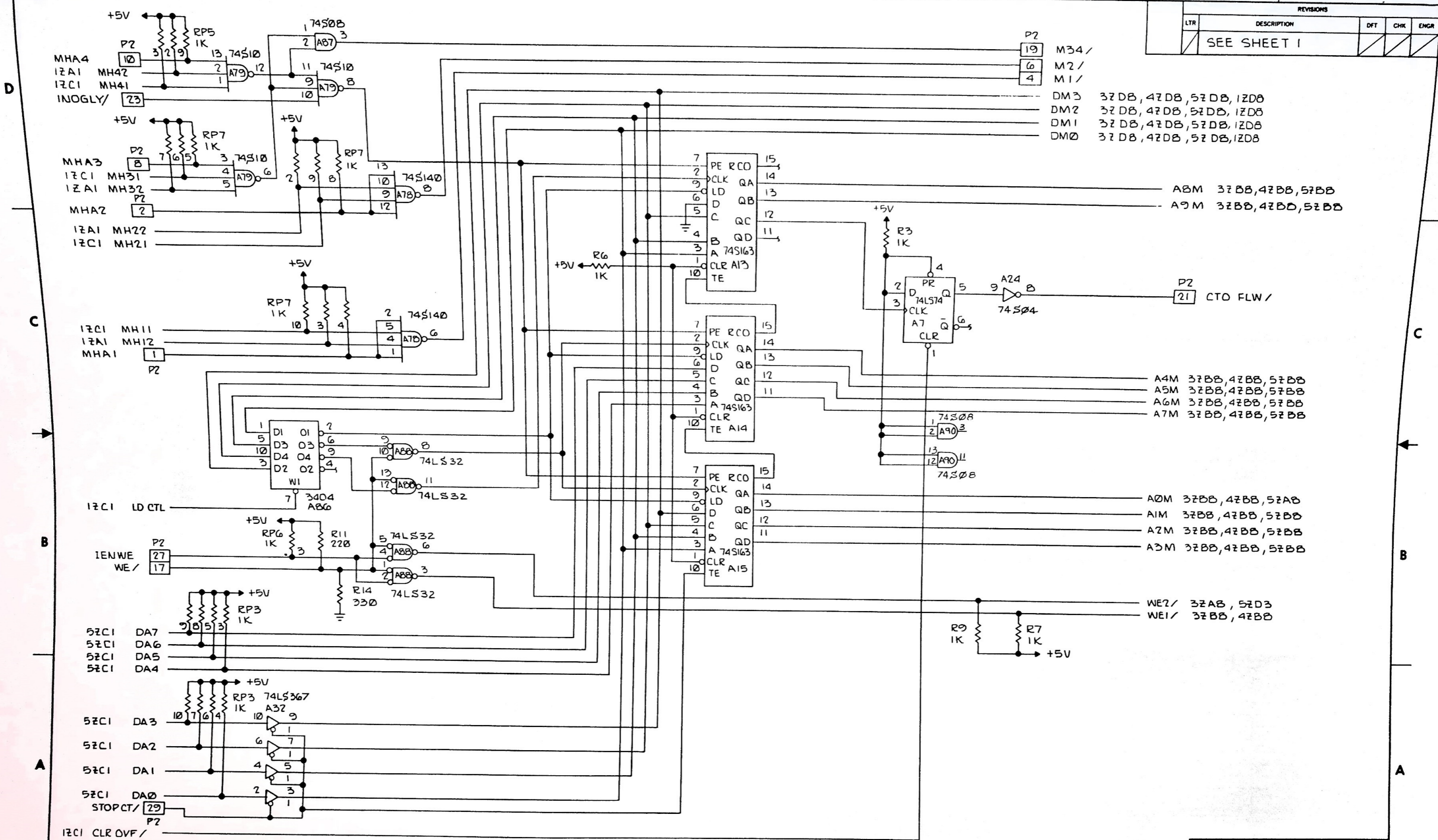
intel 3065 BOWERS AVE. SANTA CLARA CALIF. 95051

TITLE: SCHEMATIC, TRACE BOARD

AUTH BY: MCD
 CODE: SHEET 1 OF 5
 SIZE: D
 DEPT: MCD
 DRAWING NO.: 2001193
 REV: A

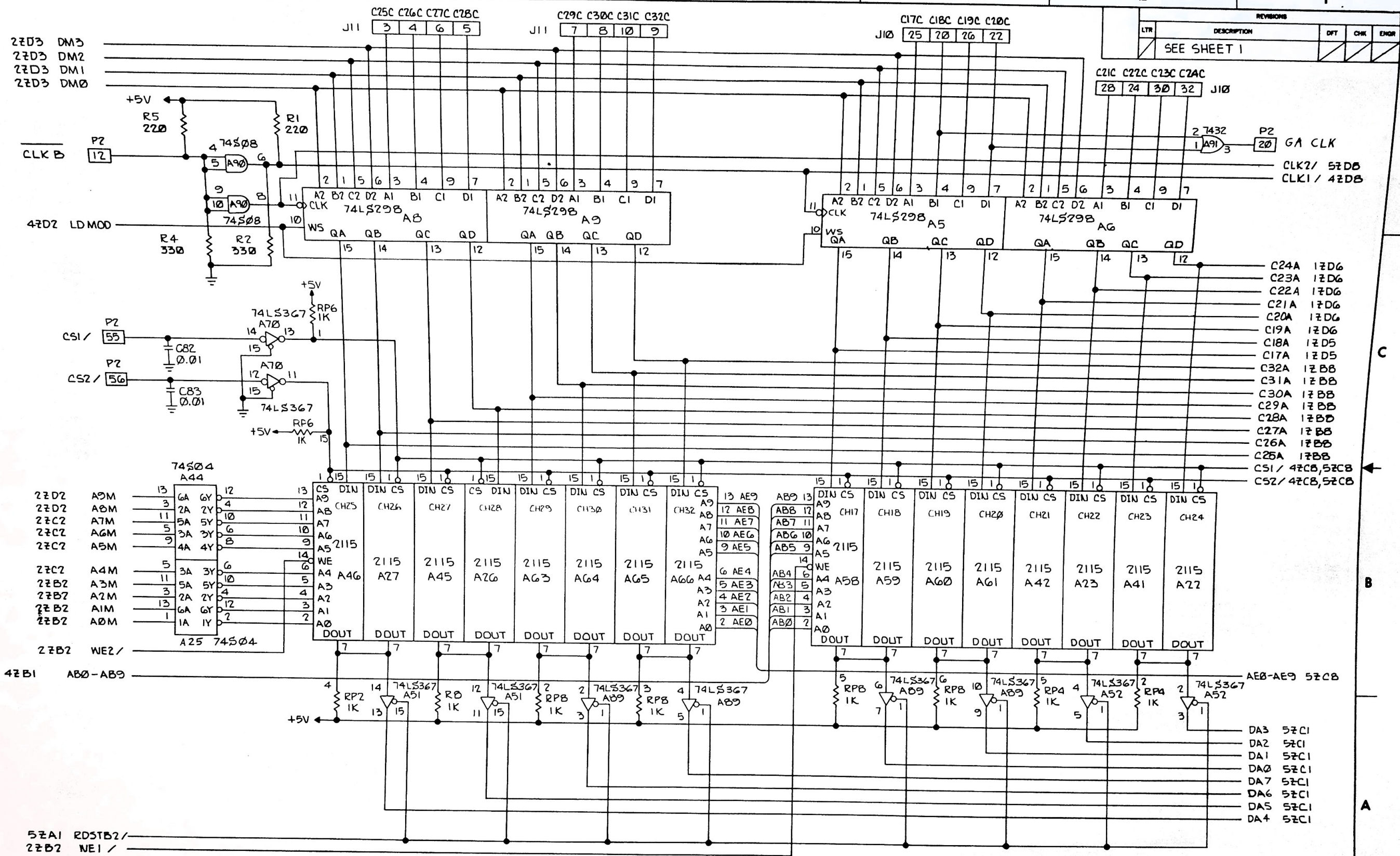
8 7 6 5 4 3 2 1

REVISIONS				
LTR	DESCRIPTION	DFT	CHK	ENGR
	SEE SHEET 1			



SCALE: NONE SIZE: D DEPT: MCD DRAWING NO: 2001193 REV: A SHEET 2 OF 5

8 7 6 5 4 3 2 1



REVISIONS				
LTR	DESCRIPTION	DFT	CHK	ENGR
	SEE SHEET 1			

2ZD3 DM3
2ZD3 DM2
2ZD3 DM1
2ZD3 DM0

CLK B

4ZD2 LD MOD

CSI /

CS2 /

2ZD2 A0M
2ZD2 A0M
2ZC2 A7M
2ZC2 A6M
2ZC2 A5M

2ZC2 A4M
2ZB2 A3M
2ZB2 A2M
2ZB2 A1M
2ZB2 A0M

4ZB1 AB0-AB9

5ZAI RDSTB2/
2ZB2 WE1 /

C24A 1ZD6
C23A 1ZD6
C22A 1ZD6
C21A 1ZD6
C20A 1ZD6
C19A 1ZD6
C18A 1ZD6
C17A 1ZD5
C32A 1ZB8
C31A 1ZB8
C30A 1ZB8
C29A 1ZB8
C28A 1ZB8
C27A 1ZB8
C26A 1ZB8
C25A 1ZB8
CS1 / 4ZC0, 5ZC8
CS2 / 4ZC0, 5ZC8

DA3 5ZC1
DA2 5ZC1
DA1 5ZC1
DA0 5ZC1
DA7 5ZC1
DA6 5ZC1
DA5 5ZC1
DA4 5ZC1

SCALE: NONE	SIZE: D	DEPT: MCD	DRAWING NO.: 2001193	REV: A
SHEET 3 OF 5				

8 7 6 5 4 3 2 1

8 7 6 5 4 3 2 1

REVISIONS			
LTR	DESCRIPTION	DFT	CHK ENGR
	SEE SHEET 1		

27D3 DM3
27D3 DM2
27D3 DM1
27D3 DM0

LD MOD 37DI CLK1 /

37B1 CS1 /
37B1 CS2 /

27D2 A9M
27D2 ABM
27C2 A7M
27C2 AGM
27C2 A5M

27C2 A4M
27B2 A3M
27B2 A2M
27B2 A1M
27B2 A0M

27B2 WE1 /

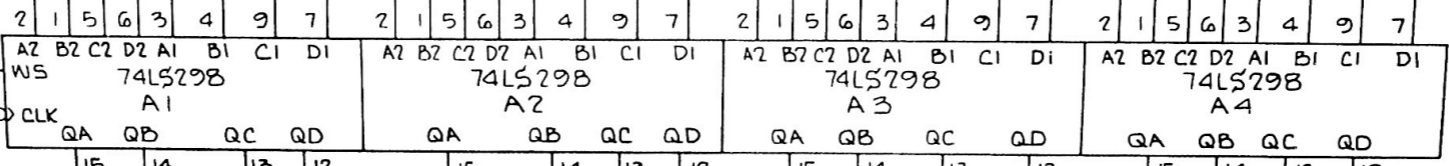
57A1 RDSTBI /

C01C C02C C03C C04C
J10 18 10 17 9

C05C C06C C07C C08C
J10 16 8 15 7

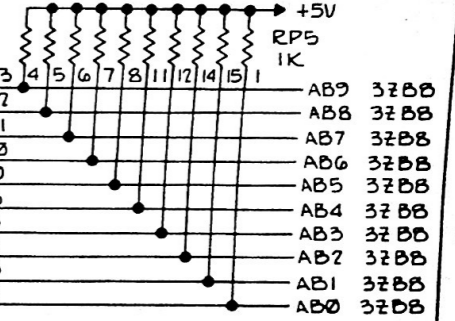
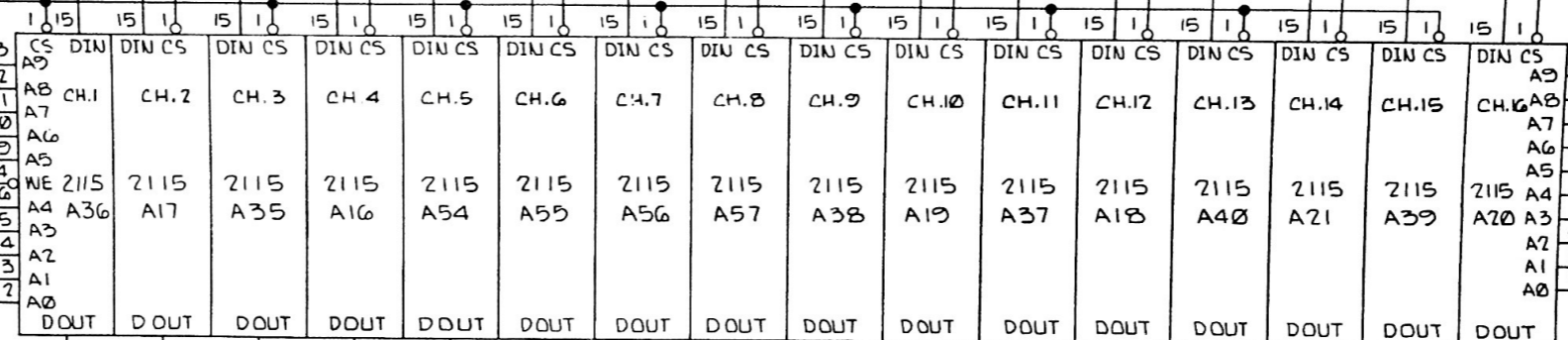
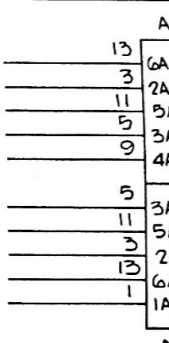
C09C C10C C11C C12C
J10 14 6 13 5

C13C C14C C15C C16C
J10 12 4 11 3



LD MOD 37D8, 57D8

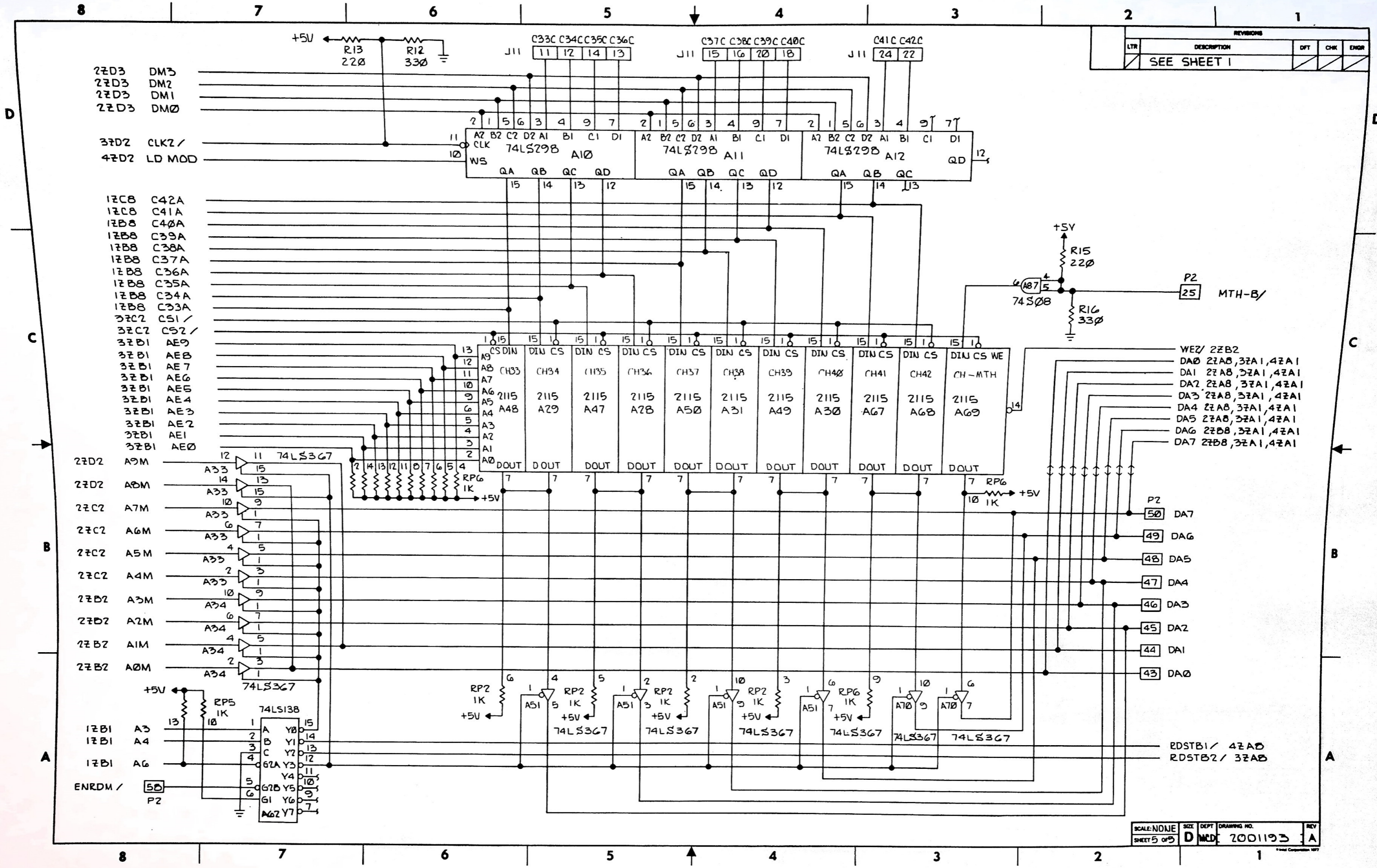
- C16A 17D5
- C15A 17D5
- C14A 17D5
- C13A 17D5
- C12A 17D4
- C11A 17D4
- C10A 17D4
- C9A 17D4
- C8A 17D4
- C7A 17D4
- C6A 17D4
- C5A 17D4
- C4A 17D3
- C3A 17D3
- C2A 17D3
- C1A 17D3



- DA7 57C1
- DA6 57C1
- DA5 57C1
- DA4 57C1
- DA3 57C1
- DA2 57C1
- DA1 57C1
- DA0 57C1

8 7 6 5 4 3 2 1

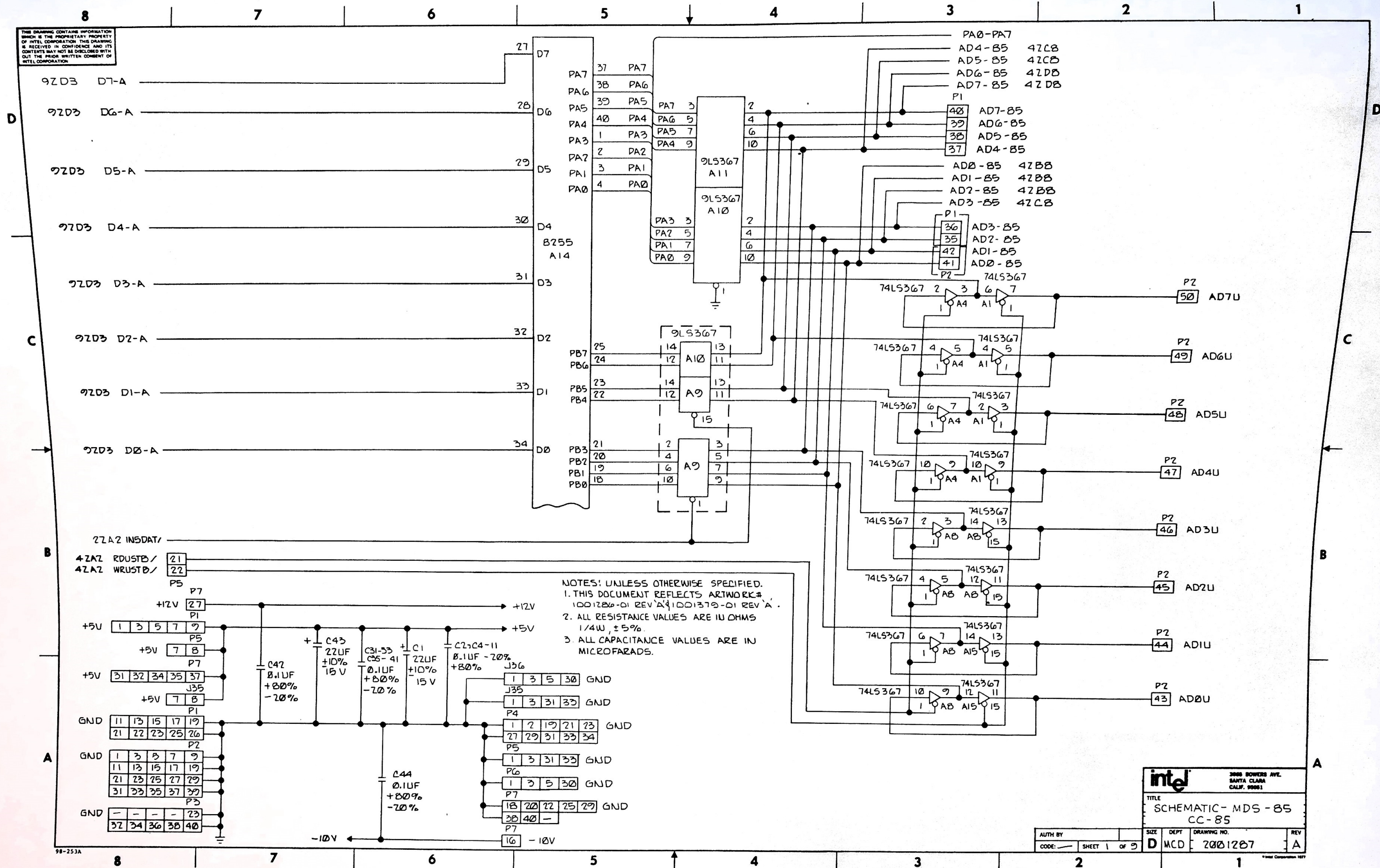
SCALE: NONE	SIZE: D	DEPT: MCD	DRAWING NO: 7001193	REV: A
SHEET 4 OF 5				



REVISIONS			
LTR	DESCRIPTION	DFT	CHK
	SEE SHEET 1		

SCALE: NONE	SIZE: D	DEPT: MCD	DRAWING NO: 2001193	REV: A
SHEET 5 OF 5				

THIS DRAWING CONTAINS INFORMATION WHICH IS THE PROPRIETARY PROPERTY OF INTEL CORPORATION. THIS DRAWING IS RECEIVED IN CONFIDENCE AND ITS CONTENTS MAY NOT BE DISCLOSED WITHOUT THE PRIOR WRITTEN CONSENT OF INTEL CORPORATION.

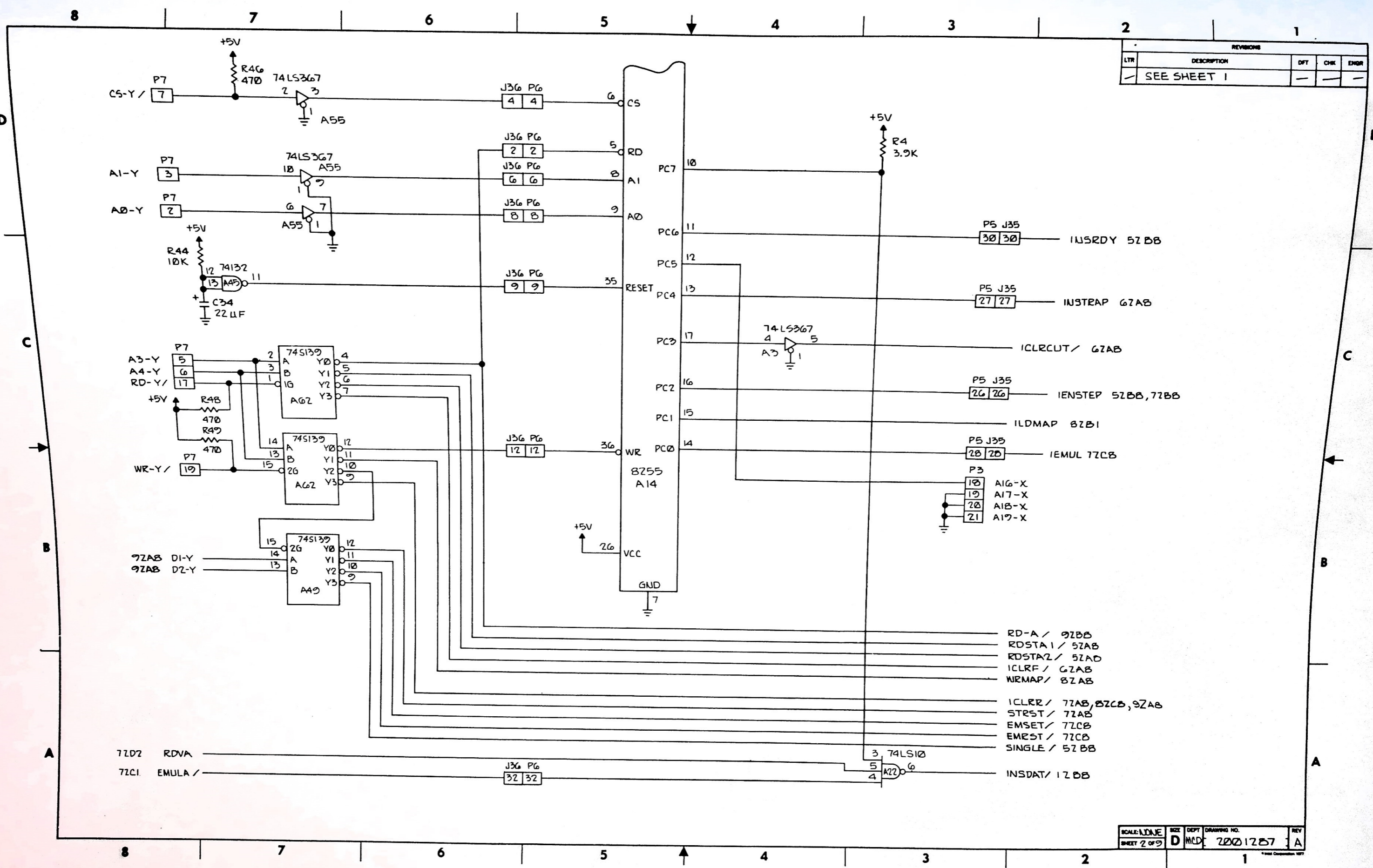


NOTES: UNLESS OTHERWISE SPECIFIED.
 1. THIS DOCUMENT REFLECTS ARTWORK # 1001286-01 REV 'A' & 1001379-01 REV 'A'.
 2. ALL RESISTANCE VALUES ARE IN OHMS 1/4W, ±5%.
 3. ALL CAPACITANCE VALUES ARE IN MICROFARADS.

intel
 3065 BOWERS AVE.
 SANTA CLARA
 CALIF. 95051

TITLE
 SCHEMATIC - MDS - 85
 CC - 85

AUTH BY	SIZE	DEPT	DRAWING NO.	REV
CODE: —	SHEET 1	OF 9	D MCD 2001207	A



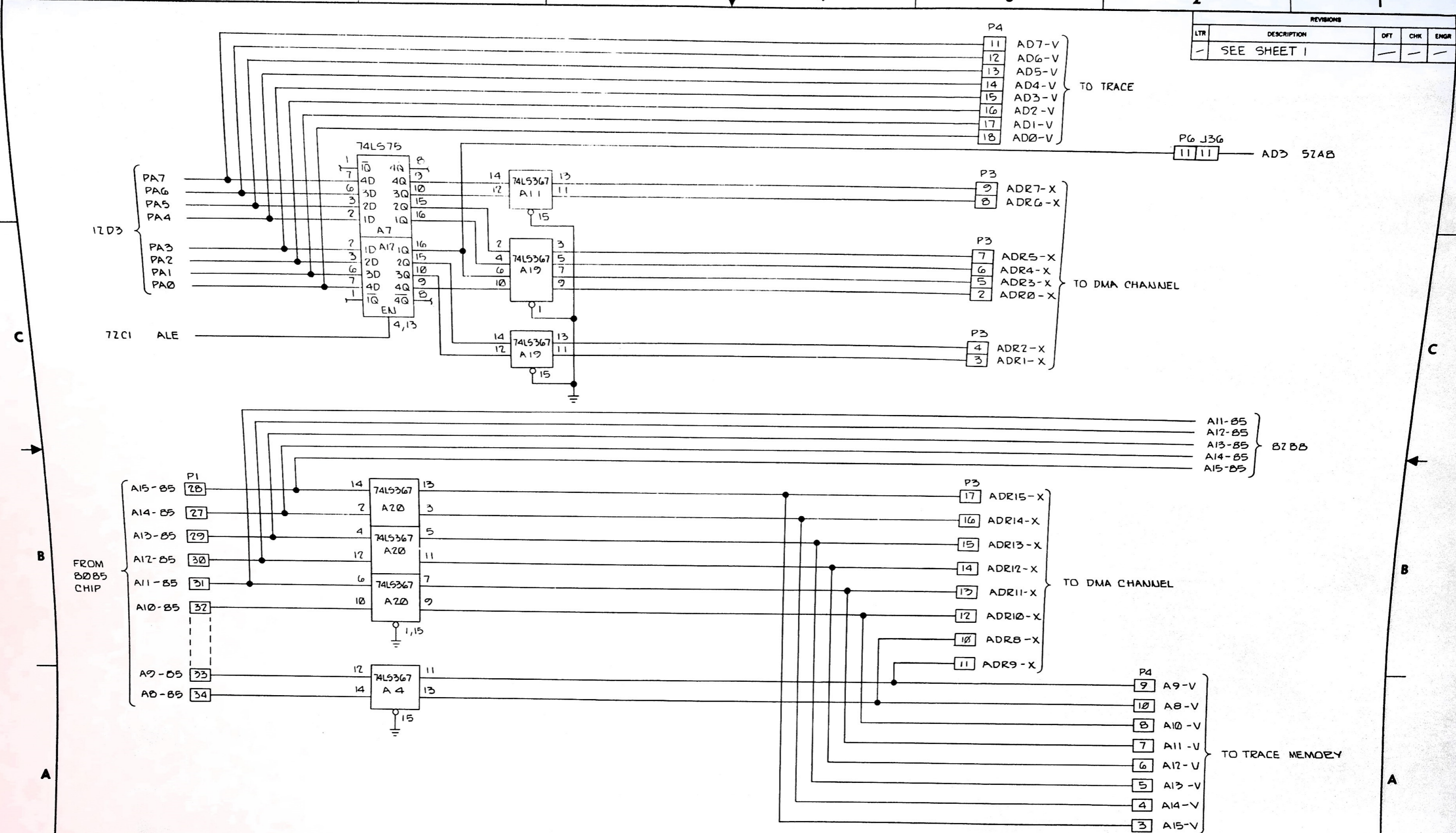
REVISIONS				
LTR	DESCRIPTION	DFT	CHK	ENGR
-	SEE SHEET 1	-	-	-

- RD-A / 92BB
- RDSTA1 / 52AB
- RDSTA2 / 52AD
- ICLRF / 62AB
- WRMAP / 82AB
- ICLRR / 72AB, 82CB, 92AB
- STRST / 72AB
- EMSET / 72CB
- EMRST / 72CB
- SINGLE / 52BB
- INSDAT / 12BB

SCALE: NONE	SIZE: D	DEPT: MCD	DRAWING NO: 2001257	REV: A
SHEET 2 OF 3				

8 7 6 5 4 3 2 1

REVISIONS				
LTR	DESCRIPTION	DFT	CHK	ENGR
-	SEE SHEET 1	-	-	-



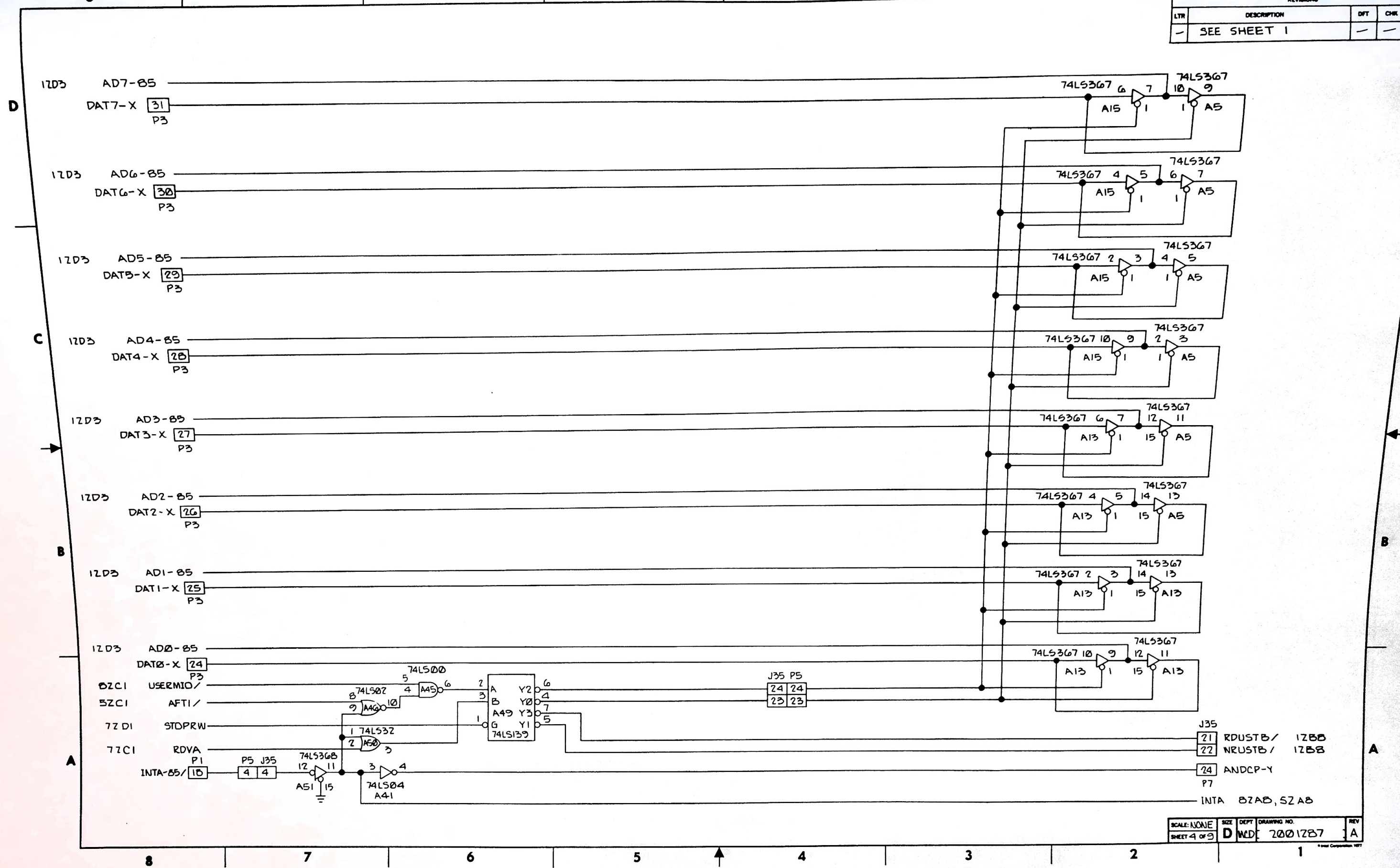
D
C
B
A

D
C
B
A

SCALE	SIZE	DEPT	DRAWING NO.	REV
NONE	D	WCD	200 1287	A

8 7 6 5 4 3 2 1

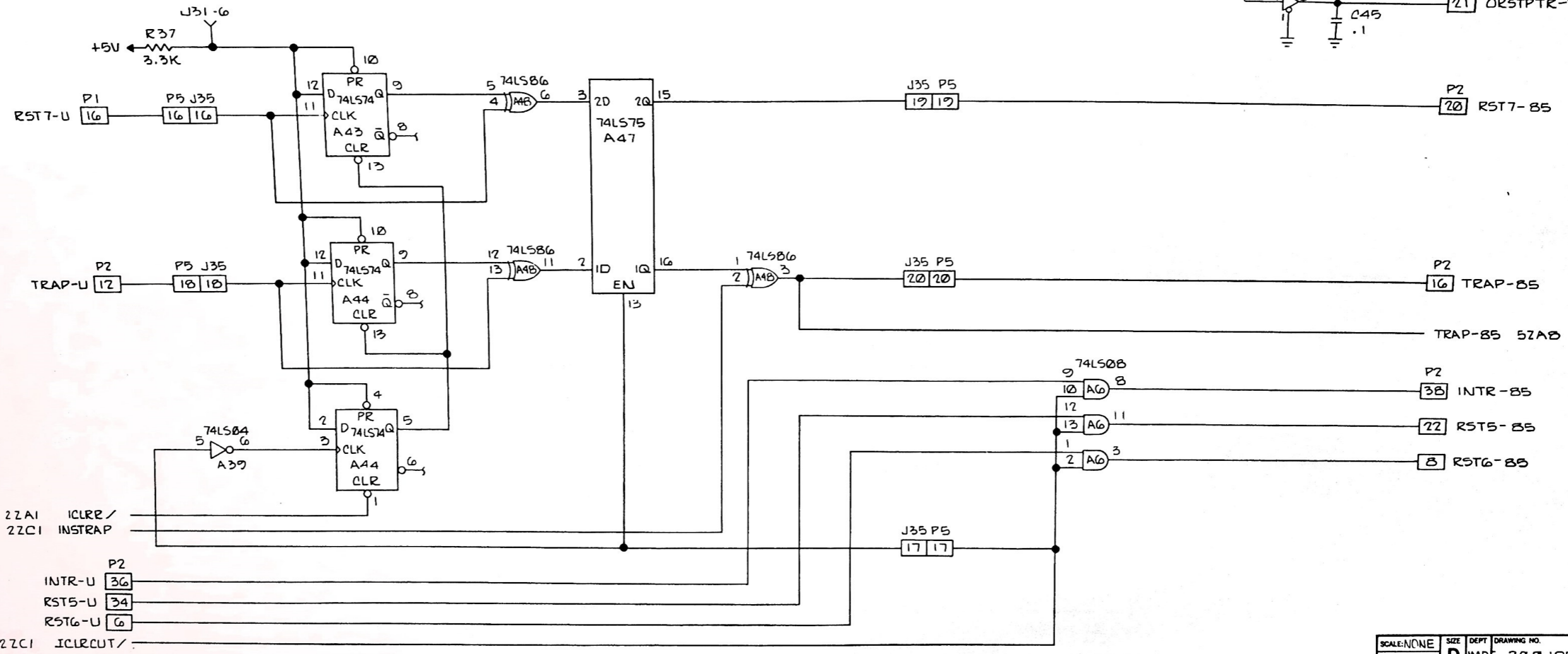
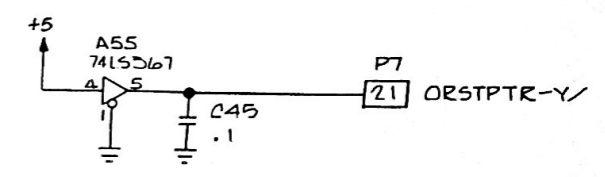
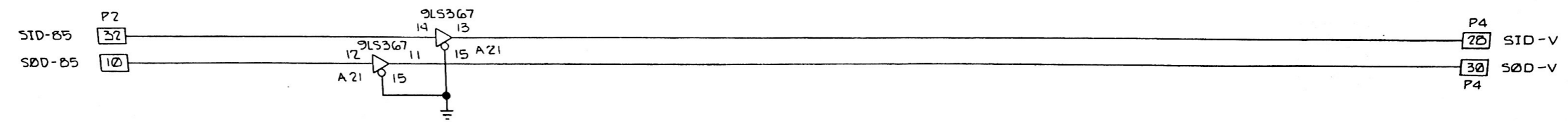
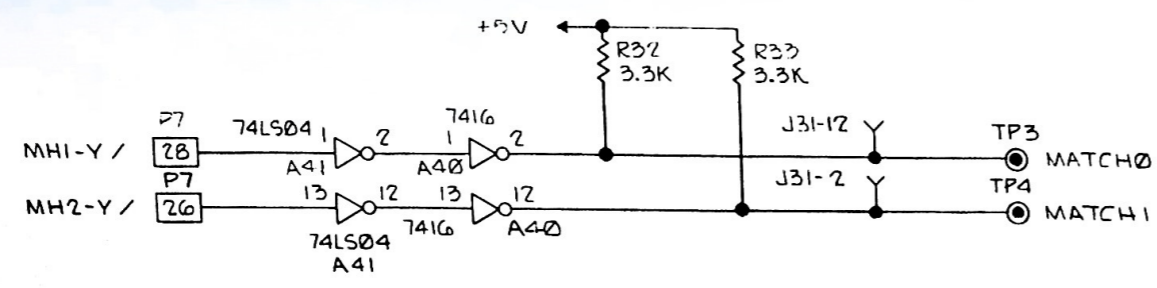
REVISIONS				
LTR	DESCRIPTION	DFT	CHK	ENGR
-	SEE SHEET 1	-	-	-



SCALE: NONE	SIZE: D	DEPT: WLD	DRAWING NO: 2001287	REV: A
SHEET 4 OF 5				

8 7 6 5 4 3 2 1

REVISIONS				
LTR	DESCRIPTION	DFT	CHK	ENGR
-	SEE SHEET 1	-	-	-



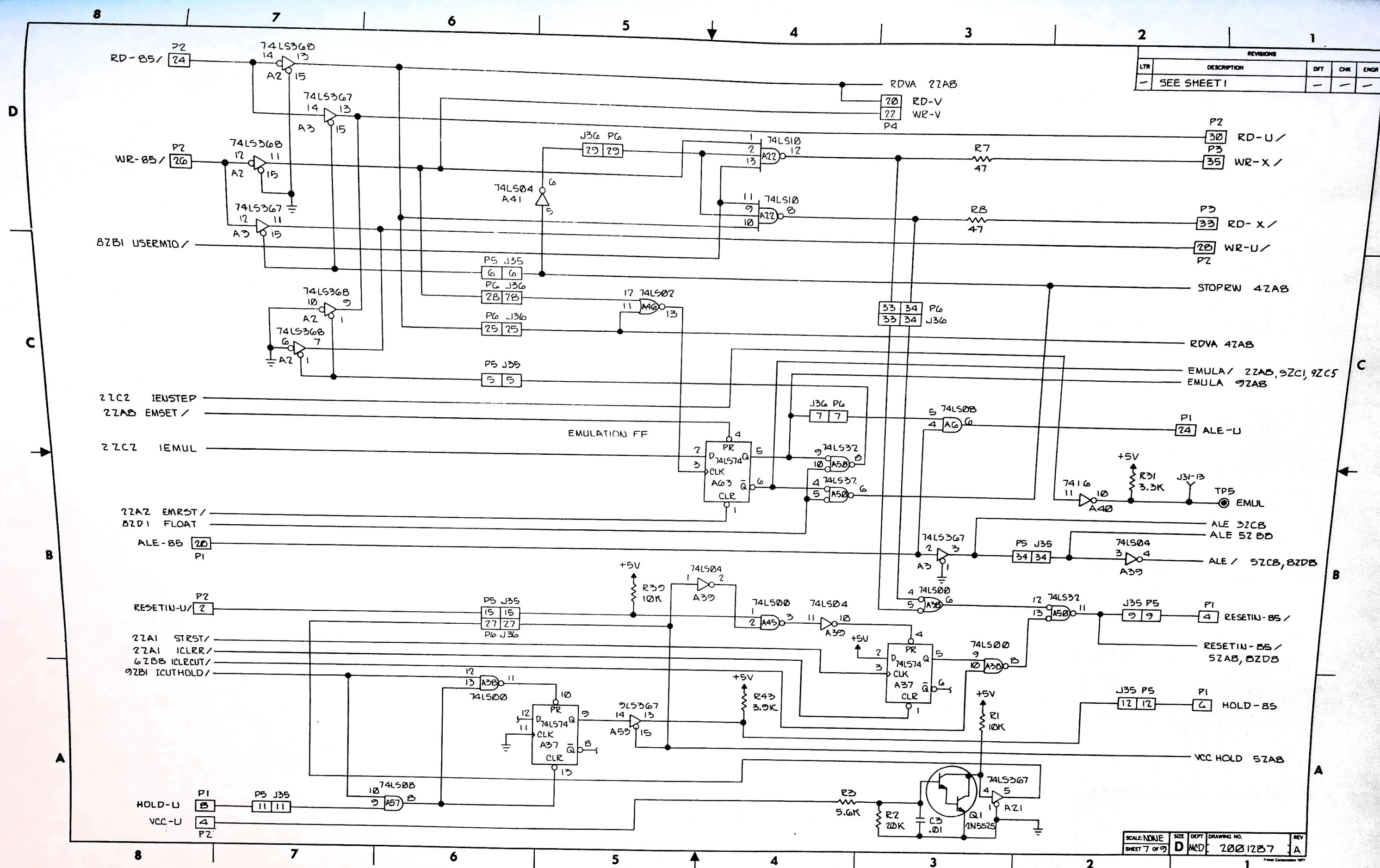
22A1 IC LRE /
22C1 INSTRAP

INTR-U P2 36
RST5-U P2 34
RST6-U P2 6

22C1 IC LRCUT /

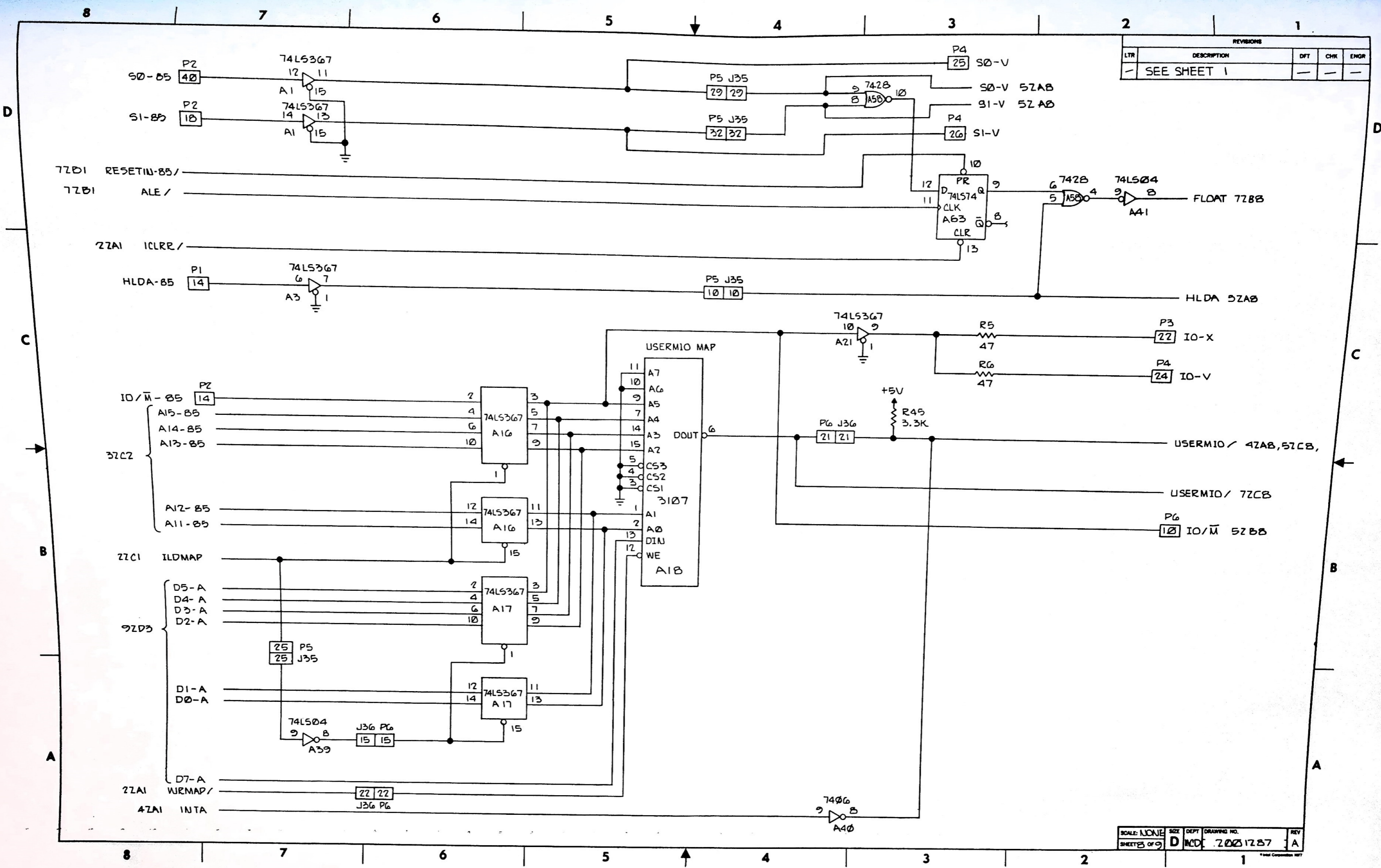
SCALE: NONE	SIZE: D	DEPT: MCD	DRAWING NO: 2001287	REV: A
SHEET 6 OF 20				

8 7 6 5 4 3 2 1



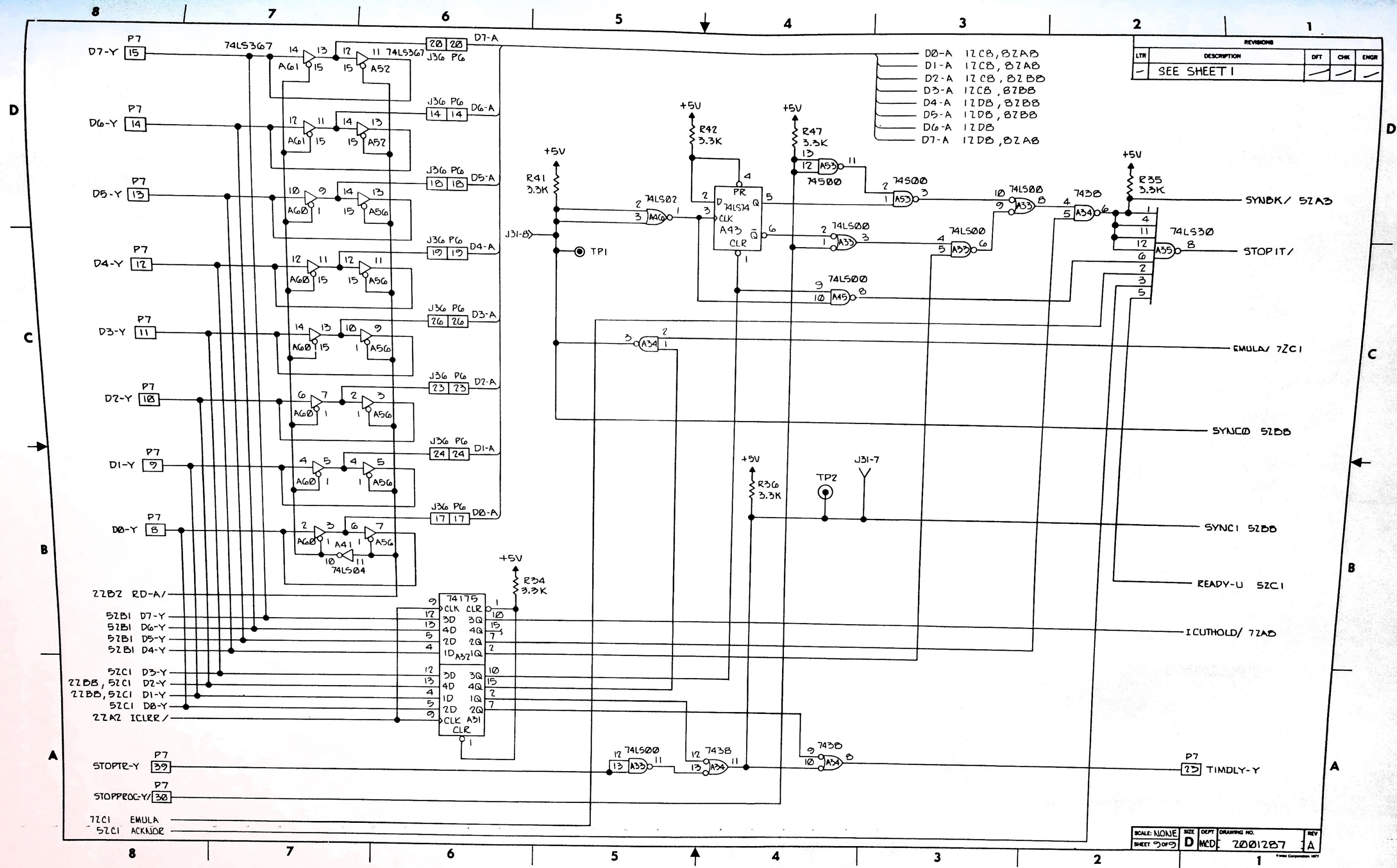
REVISIONS			
LTR	DESCRIPTION	DFT	CHK
-	SEE SHEET 1	-	-

SCALE: NONE	SIZE: D	DEPT: MCD	DRAWING NO: 2001287	REV: A
SHEET 7 OF 9		ICE-85 • 20		



REVISIONS			
LTR	DESCRIPTION	DFT	CHK
-	SEE SHEET 1	-	-

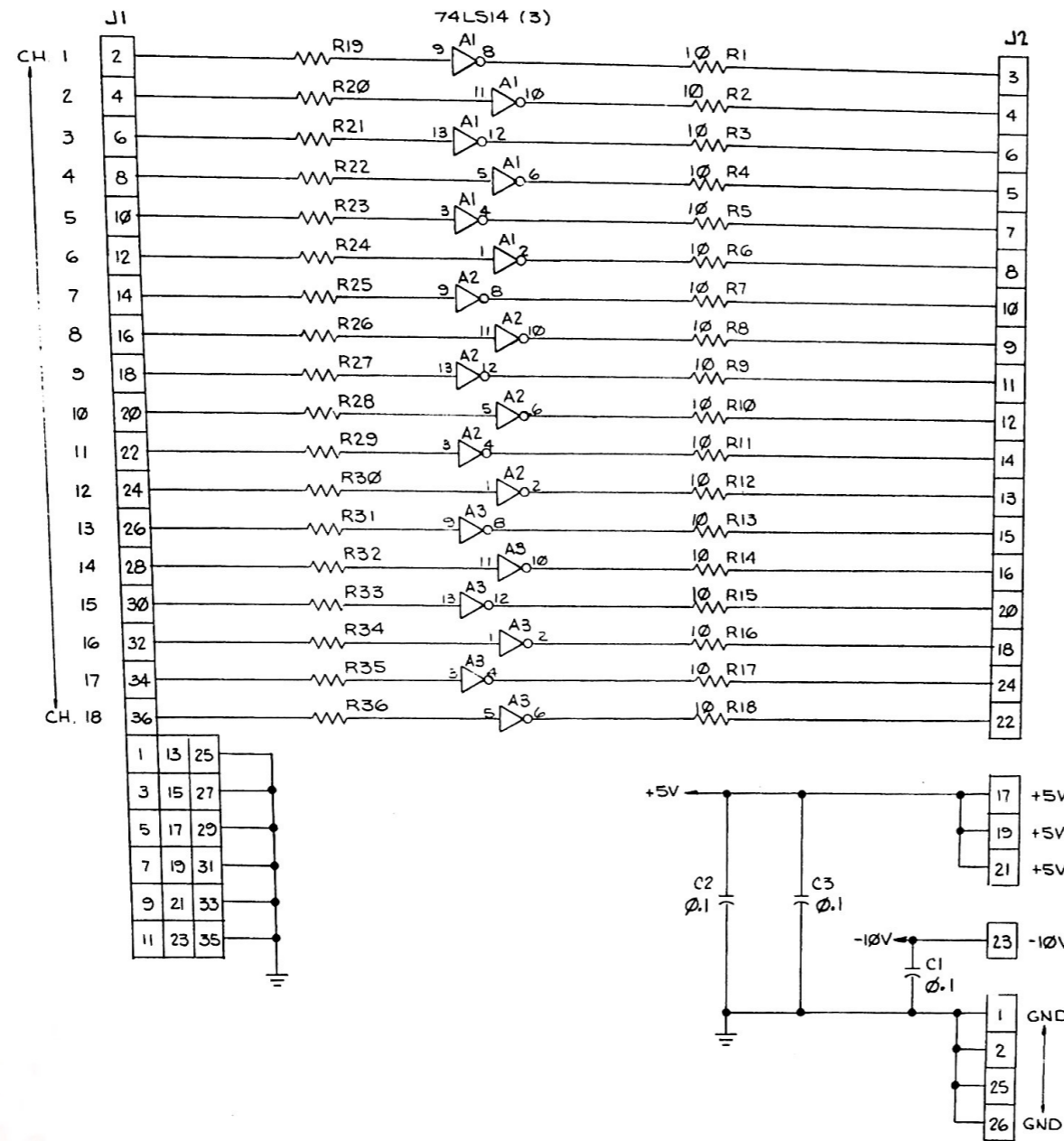
SCALE: NONE	SIZE: D	DEPT: INC.	DRAWING NO. 2001787	REV: A
SHEETS OF 9		Total Components 107		



REVISIONS				
LTR	DESCRIPTION	DFT	CHK	ENGR
-	SEE SHEET 1			

SCALE: NONE	SIZE: D	DEPT: MCD	DRAWING NO.: 2001287	REV: A
SHEET 2 OF 3				

THIS DRAWING CONTAINS INFORMATION WHICH IS THE PROPRIETARY PROPERTY OF INTEL CORPORATION. THIS DRAWING IS RECEIVED IN CONFIDENCE AND ITS CONTENTS MAY NOT BE DISCLOSED WITH OUT THE PRIOR WRITTEN CONSENT OF INTEL CORPORATION.



NOTES: UNLESS OTHERWISE SPECIFIED
 1. ALL RESISTORS 100Ω, ±5%, 1/4W CARBON
 2. CAPACITANCE VALUES ARE IN MICROFARADS

74LS14	14	14	7
DEVICE	TOT PINS	+5V	GND

intel 3065 BOWERS AVE. SANTA CLARA CALIF. 95051

TITLE: SCHEMATIC DIAGRAM 18 CHANNEL BUFFER

AUTH BY	SIZE	DEPT	DRAWING NO.	REV
CODE: SHEET OF 1	D	MCD	2001297	A

© Intel Corporation 1977



INTEL CORPORATION, 3065 Bowers Avenue, Santa Clara, California 95051 • (408) 987-8080

Printed in U.S.A.