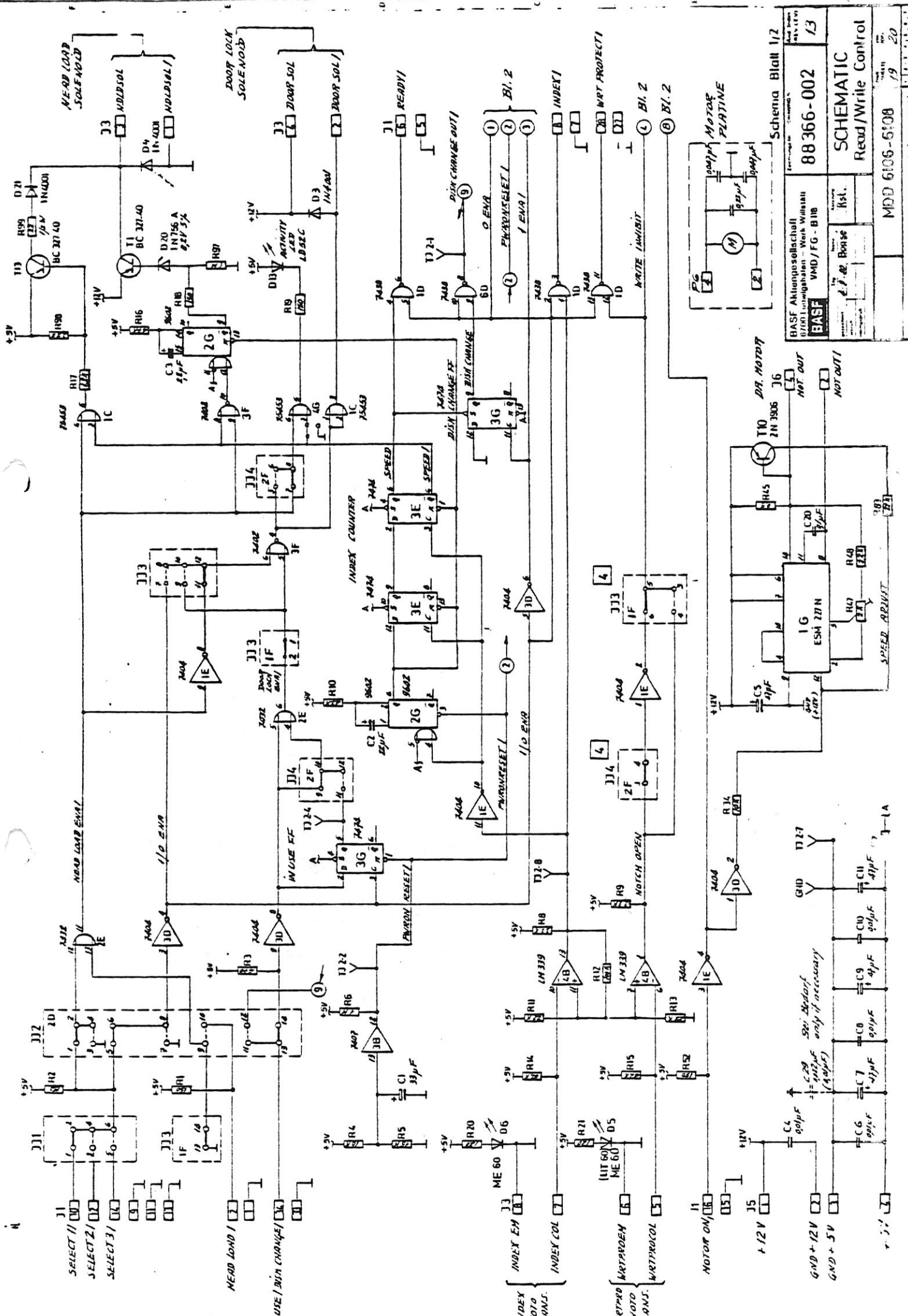
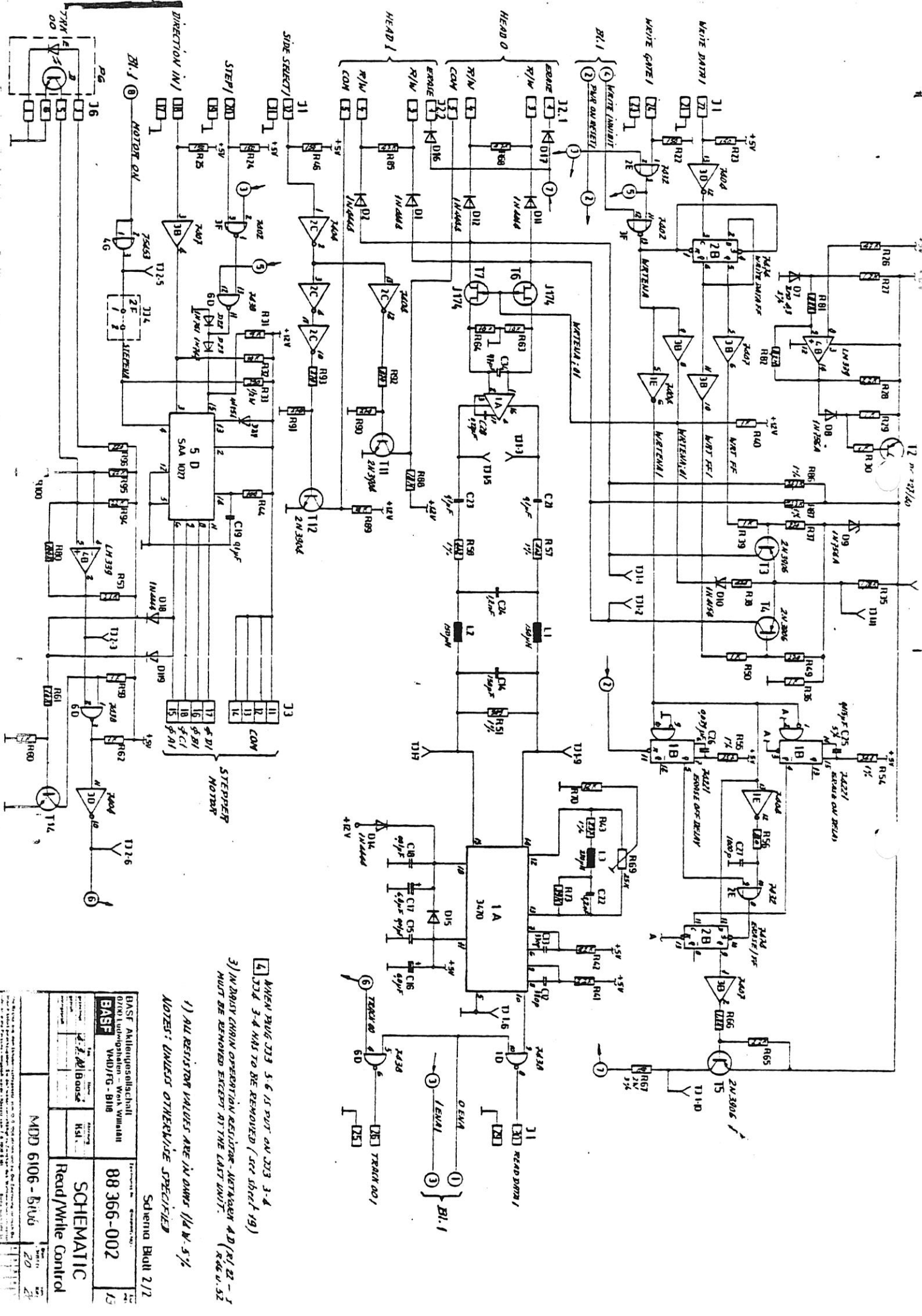


FLOPPY CAVA01



Schema Blatt 1/2
 88366-002
 SCHEMATIC
 Read/Write Control
 MDD 6105-5108
 19 20

BASF Aktiengesellschaft
 Digital Computing - Werk Wehrhahn
 BASF VMD / FG - B 118
 2. J. ab. Baugr. Kst.
 MOTOR PLATINE
 DR. MOTOR
 NOT OUT
 SPEED ADJUST
 C1 33µF
 C2 25µF
 C3 10µF
 C4 90µF
 C5 47µF
 C6 90µF
 C7 1µF
 C8 1µF
 C9 1µF
 C10 47µF
 C11 47µF



4 WHEN TRIG 313 5-6 IS PUT ON 223 3-4
 313 3-4 HAS TO BE REMOVED (SEE SHEET 19)
 3) IN DUAL CYCLE OPERATION RESISTOR NETWORK A/D (R1/82 - 1
 MUST BE REMOVED EXCEPT AT THE LAST UNIT.

1) ALL RESISTOR VALUES ARE IN OHMS 1/4 W. 5%
 NOTES: UNLESS OTHERWISE SPECIFIED

Schemata Blatt 2/2

BASF Aktiengesellschaft Datenverarbeitung - Werk Wilmshausen BASF	88 366-002
W. J. Alldorfer KSt.	15
SCHEMATIC	
Read/Write Control	
MDD 6106-B106	20