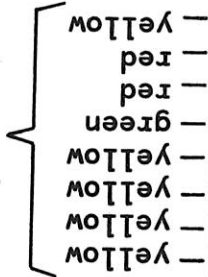
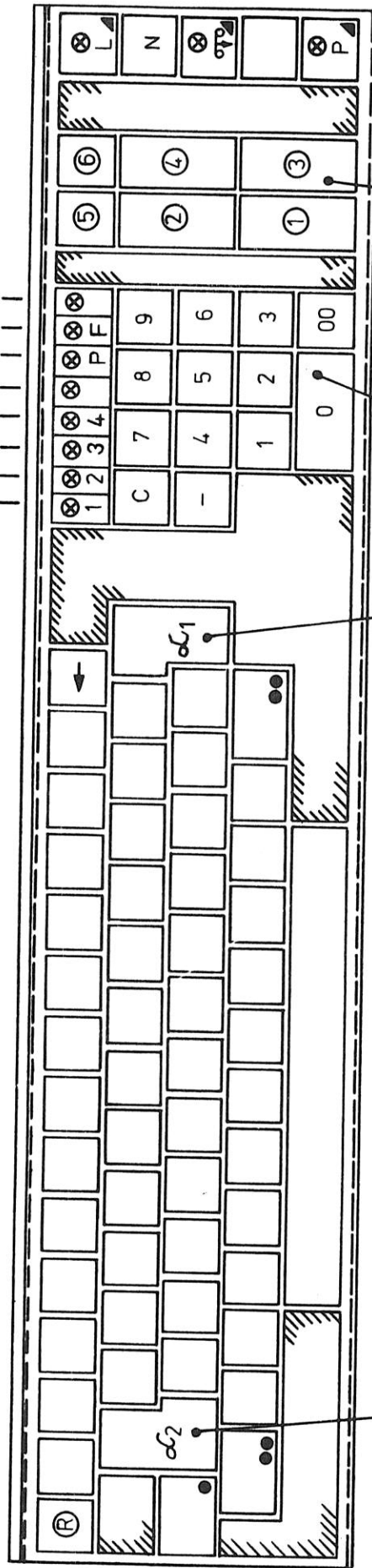


7. Keyboard

Signal Lamps  
Lamp Field



Repeat Function

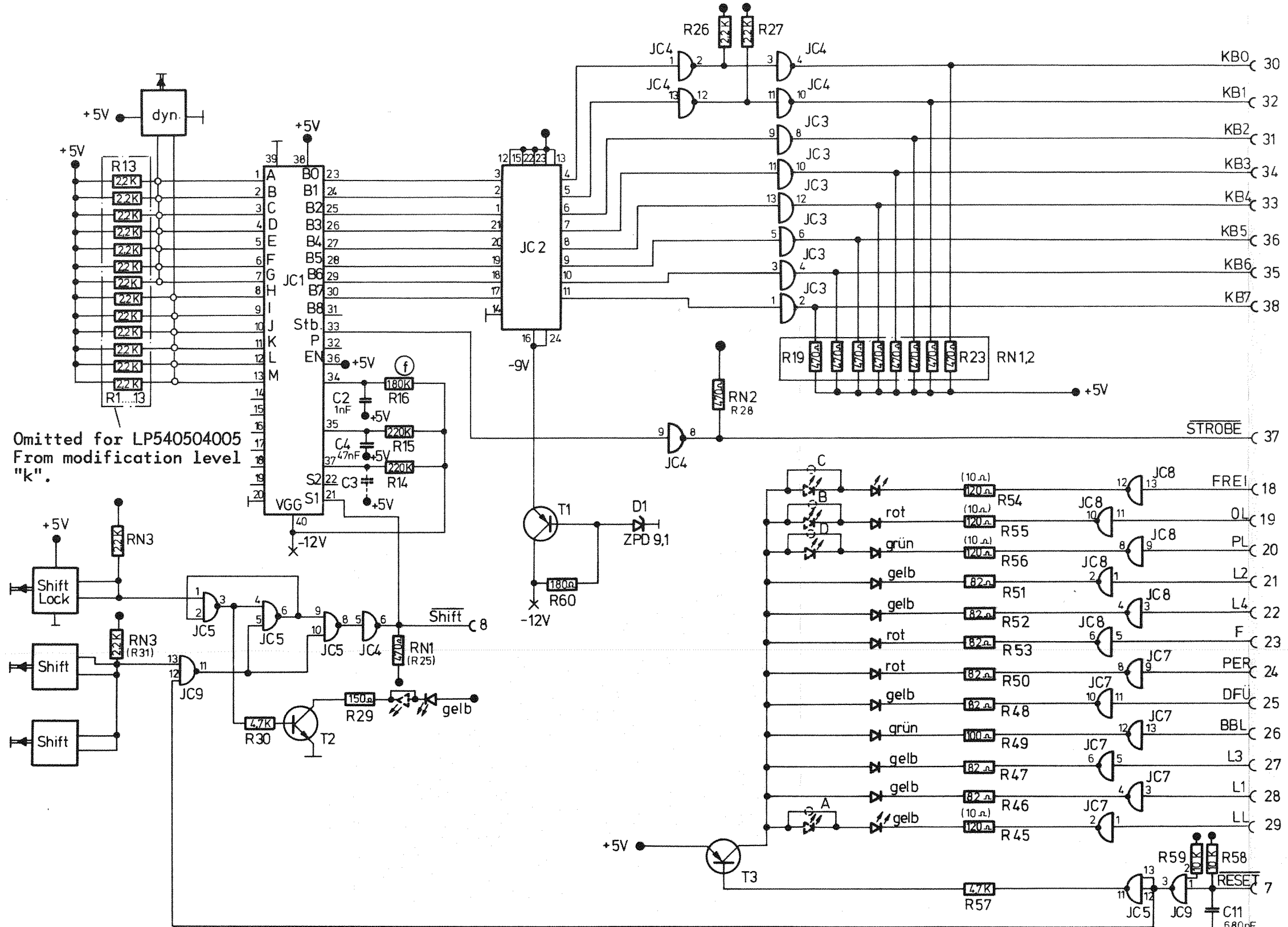


System Key

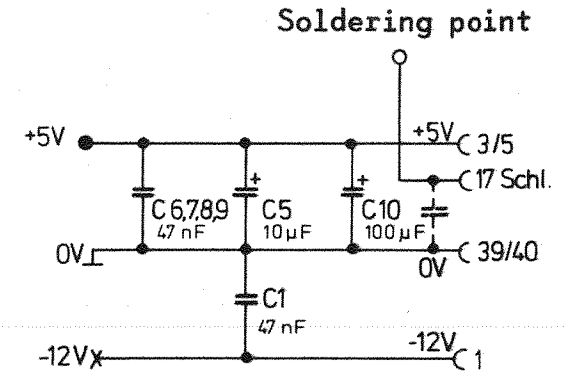
System Key

Ten  
Keyboard

Function  
Keys



Omitted for LP540504005  
From modification level  
"k".

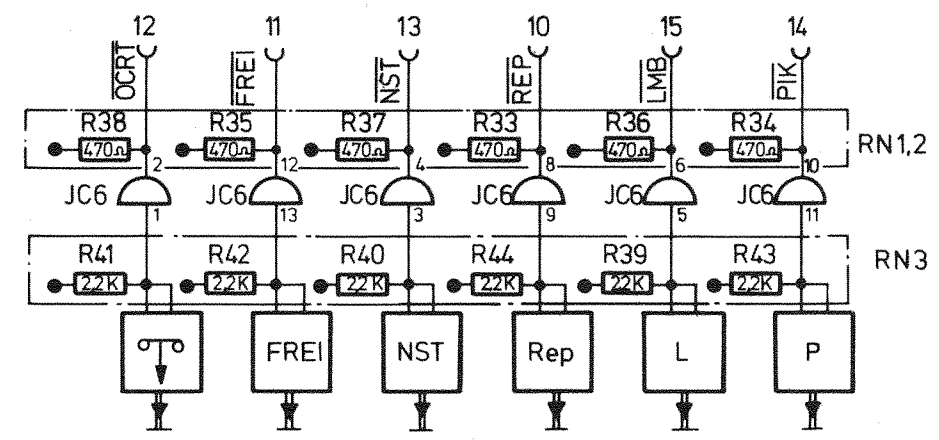


**All ICS on Socket**

- SN 7406 N JC 4, 7, 8
- SN 74LS00 N JC 5
- MM 5746 N JC 1
- 1702A JC 2
- SN 7407 N JC 6, 3
- SN 7408 N JC 9

- B 337 T 2
- ⓐ BC 327 T 3,1

**Keyboard TA 20/21**



TA 20 Codierliste - code list  
 - liste de codage  
 Tastatur - keyboard - clavier



Encoder Eingang	KEY NO	UNSHIFTED		SHIFTED	
		CHAR	7← BIT →0	CHAR	7← BIT →0
-	64	REP	FUNCTION		
A - J	48	—	01011111	—	01011111
A - K	1	1	00110001	!	00100001
A - D	4	2	00110010	"	00100010
A - L	8	3	00110011	#	00100011
A - E	12	4	00110100	α	00100100
A - C	16	5	00110101	%	00100101
A - I	20	6	00110110	&	00100110
A - M	24	7	00110111	'	00100111
A - H	28	8	00111000	(	00101000
A - G	32	9	00111001	)	00101001
A - F	36	0	00110000	0	00110000
A - B	40	-	00101101	=	00111101
B - D	44	^	01011110	-	01111110
B - C	63	←	00001000	←	00001000
-		L1	INDICATOR		
-		L2	INDICATOR		
-		L3	INDICATOR		
-		L4	INDICATOR		
-		BBL	INDICATOR		
-		P	INDICATOR		
-		F	INDICATOR		
-		DFÜ	INDICATOR		
B - H	98	⑤	10010101	⑤	10010101
B - M	99	⑥	10010110	⑥	10010110
-	100	LMB	FUNCTION		
D - K	52	α 2	00000010	α 2	00000010
D - J	2	q	01110001	Q	01010001
D - L	6	w	01110111	W	01010111
D - F	10	e	01100101	E	01000101
D - E	14	r	01110010	R	01010010

Encoder Eingang	KEY NO	UNSHIFTED		SHIFTED	
		CHAR	7←-BIT→0	CHAR	7←-BIT→0
C - D	18	t	01110100	T	01010100
I - L	22	y	01111001	Y	01011001
C - I	26	u	01110101	U	01010101
C - H	30	i	01101001	I	01001001
C - G	34	o	01101111	O	01001111
C - J	38	p	01110000	P	01010000
C - K	42	@	01000000	`	01100000
C - F	45	[	01011011	{	01111011
C - L	61	∞ 1	00000011	∞ 1	00000011
C - M	85		11111111		11111111
B - E	76	7	10110111	7	10110111
B - F	77	8	10111000	8	10111000
B - G	78	9	10111001	9	10111001
B - I	88	②	10010010	②	10010010
B - J	92	④	10010100	④	10010100
-	97	NST	FUNCTION		
-	50		SHIFT LOCK		
D - H	3	a	01100001	A	01000001
D - I	7	s	01110011	S	01010011
D - G	11	d	01100100	D	01000100
E - K	15	f	01100110	F	01000110
E - J	19	g	01100111	G	01000111
E - L	23	h	01101000	H	01001000
E - M	27	j	01101010	J	01001010
E - G	31	k	01101011	K	01001011
E - H	35	l	01101100	L	01001100
E - I	39	;	00111011	+	00101011
E - F	43	:	00111010	*	00101010
F - I	46	]	01011101	}	01111101
F - H	84	.-	10101101	-	10101101
F - G	73	4	10110100	4	10110100

TA 20 Codierliste - code list  
 - liste de codage  
 Tastatur - keyboard - clavier



Encoder Eingang	KEY NO	UNSHIFTED		SHIFTED	
		CHAR	7←BIT→0	CHAR	7←BIT→0
F - J	74	5	10110101	5	10110101
F - K	75	6	10110110	6	10110110
-	96	OCRT	FUNCTION		
-	49		SHIFT		
D - H	47	\	01011100		01111100
C - E	5	z	02222020	Z	01011010
I - J	9	x	01111000	X	01011000
I - K	13	c	01100011	C	01000011
H - I	17	v	01110110	V	01010110
H - J	21	b	01100010	B	01000010
H - K	25	n	01101110	N	01001110
H - L	29	m	01101101	M	01001101
G - H	33	,	00101100	<	00111100
G - J	37	.	00101110	>	00111110
G - I	41	/	00101111	?	00111111
-	59		SHIFT		
G - K	70	1	10110001	1	10110001
G - L	71	2	10110010	2	10110010
G - M	72	3	10110011	3	10110011
B - L	86	①	10010001	①	10010001
B - K	90	③	10010011	③	10010011
-	95	FREI	FUNCTION		
H - M	56	Space	00100000	Space	00100000
F - L	81	0	10110000	0	10110000
F - M	82	00	10111010	00	10111010
-	94	PIK	FUNCTION		